



Preliminary

TX-RBWG8B120-001A DATA SHEET

Approved by:

Checked by:

Prepared by:

Part No.	TX-RBWG8B120-001A	Spec No.	WKF-BB8007	Page	1 of 7
-----------------	-------------------	-----------------	------------	-------------	--------

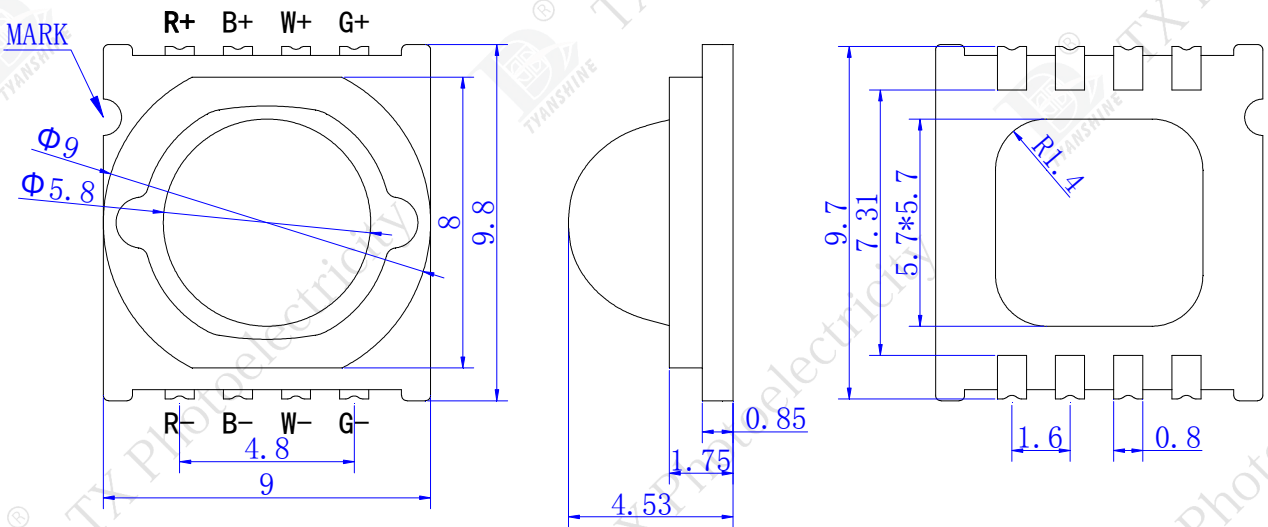
Features:

- ◆ Excellent Transiting Heat from LED Chip Operating under 500mA
- ◆ High Luminous Output
- ◆ No UV

Typical purpose:

- ◆ Portable Flashlight
- ◆ Garden lighting
- ◆ General Lighting

Package Dimensions:



Part No.	TX-RBWG8B120-001A	Spec No.	WKF-BB8007	Page	2 of 7
-----------------	-------------------	-----------------	------------	-------------	--------

Notes:

1. Thermoelectric integrated White chip packaged in this product.
2. All dimensions are in millimeters (inches).
3. Tolerance is ± 0.25 mm (0.01") unless otherwise noted.

Part NO.	Chip Material				Lens Color	Source Color
TX-RBWG8B120-001A	Red	Blue	White	Green	Water	Red & True Blue & White & Green
	AlGaInP	GaInN	GaInN	GaInN	Clear	

Absolute Maximum Ratings at Ta=25°C

Parameter	Symbol	MAX.	Unit
LED Junction Temperature	T _j	150	°C
Power Dissipation	P _D	R	1300
		B	1800
		W	1800
		G	1800
Peak Forward Current (1/10 Duty Cycle, 0.1ms Pulse Width)	I _{FP}	—	mA
Continuous Forward Current	I _F	500	mA
Reverse Voltage	V _R	5	V
Electrostatic Discharge Threshold (ESD)	ESD	2000	V
Operating Temperature Range	T _{opr}	-40 to +70	°C
Storage Temperature Range	T _{spr}	-40 to +100	

Notes:

1. Specifications are subject to change without notice.
2. Under the stipulated Characteristics parameters above, the life span of the LED is more than 50,000hours.
3. The data on this specification is for reference only and the actual data is in accordance with the acknowledgment.
4. Precautions for ESD:
STATIC SHIELD Electricity and surge damages the LED. It is recommended to use a wrist band or anti-electrostatic glove when handling the LED. All devices, equipment and machinery must be properly grounded.

Part No.	TX-RBWG8B120-001A	Spec No.	WKF-BB8007	Page	3 of 7
-----------------	-------------------	-----------------	------------	-------------	--------

Characteristics at If=500mA , Vr=5V (Ta=25°C)

Parameter	Symbol	Emitting Color	Values			Units
			Min.	Typ.	Max.	
Luminous Flux	ϕ_v	R	60	75	—	lm
		B	25	35	—	
		W	140	175	—	
		G	135	170	—	
Viewing Angle at 50% IV	$2\theta_{1/2}$	R	—	120	—	Deg
		B	—	120	—	
		W	—	120	—	
		G	—	120	—	
Peak Emission Wavelength	λ_p	R	620	625	630	nm
		B	447	453	457	
		G	510	515	520	
Dominant Wavelength	λ_d	R	618	622	626	nm
		B	453	457	463	
		G	520	524	529	
Correlated Colour Temperature	CCT	W	5500	6500	7500	K
Spectral Line Half-Width	$\Delta\lambda$	R	15	20	25	nm
		B	15	20	25	
		W	15	20	25	
		G	25	30	35	
Forward Voltage	V_f	R	2.0	2.3	2.6	V
		B	3.0	3.3	3.6	
		W	3.0	3.3	3.6	
		G	3.0	3.3	3.6	
Reverse Current	I_R	—	—	—	10	μA
Thermal Resistance Junction to Case	$R\theta_{J-C}$	—	—	2.8	—	K/W
Temperature Coefficient of Forward Voltage	$V\Delta F/T$	—	—	-2	—	mV/°C

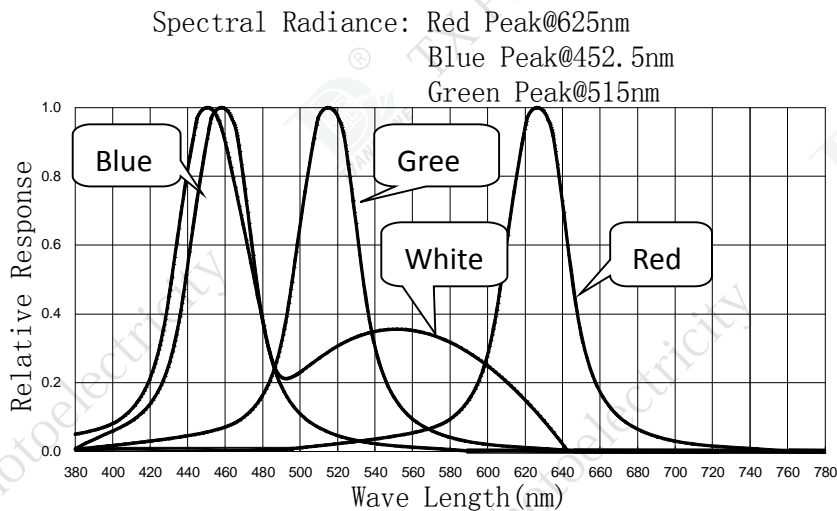
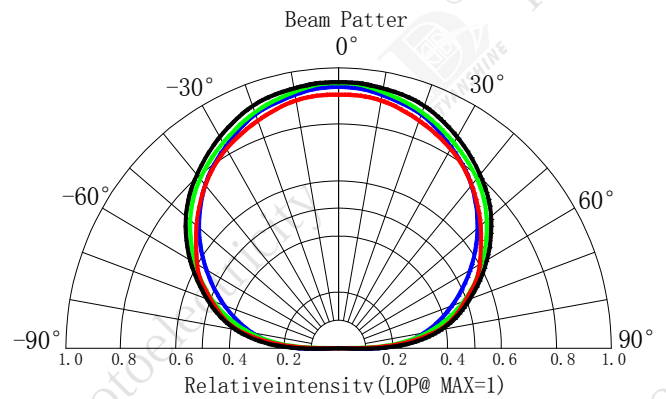
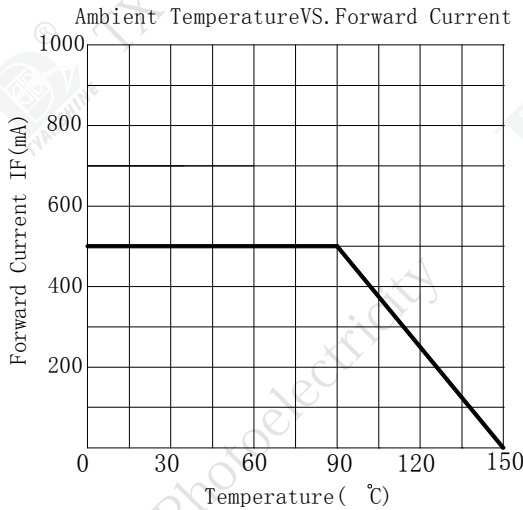
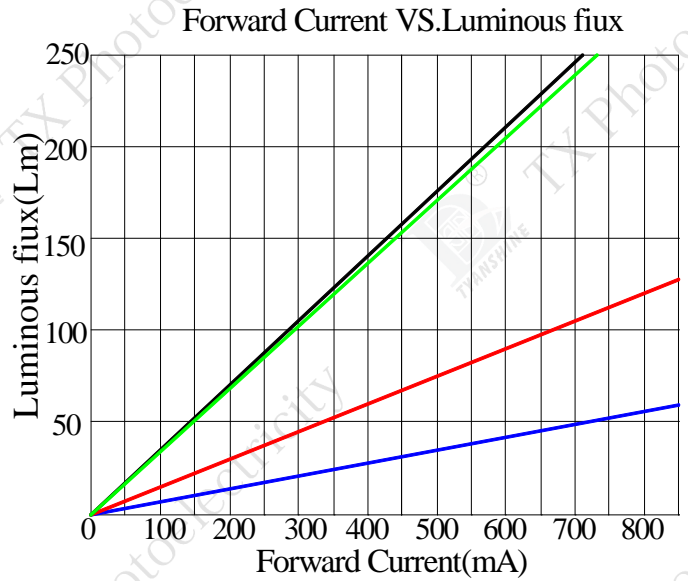
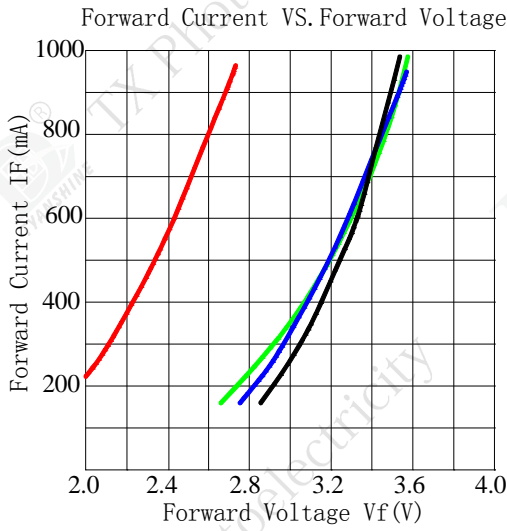
Notes:

1. Luminous intensity is measured with a light sensor and filter combination that approximates the CIE eye-response curve.
2. $\theta_{1/2}$ is the off-axis angle at which the luminous intensity is half the axial luminous intensity
3. The dominant wavelength (λ_d) is derived from the CIE chromaticity diagram and represents the single wavelength which defines the color of the device.
4. Flux is measured with an accuracy of $\pm 15\%$.
5. Forward voltage is measured with an accuracy of $\pm 0.15V$.

Part No.	TX-RBWG8B120-001A	Spec No.	WKF-BB8007	Page	4 of 7
----------	-------------------	----------	------------	------	--------

Typical Electrical / Optical Characteristics Curves

(25°C Ambient Temperature Unless Otherwise Noted)



PRECAUTION IN USE

Storage

Recommended storage environment

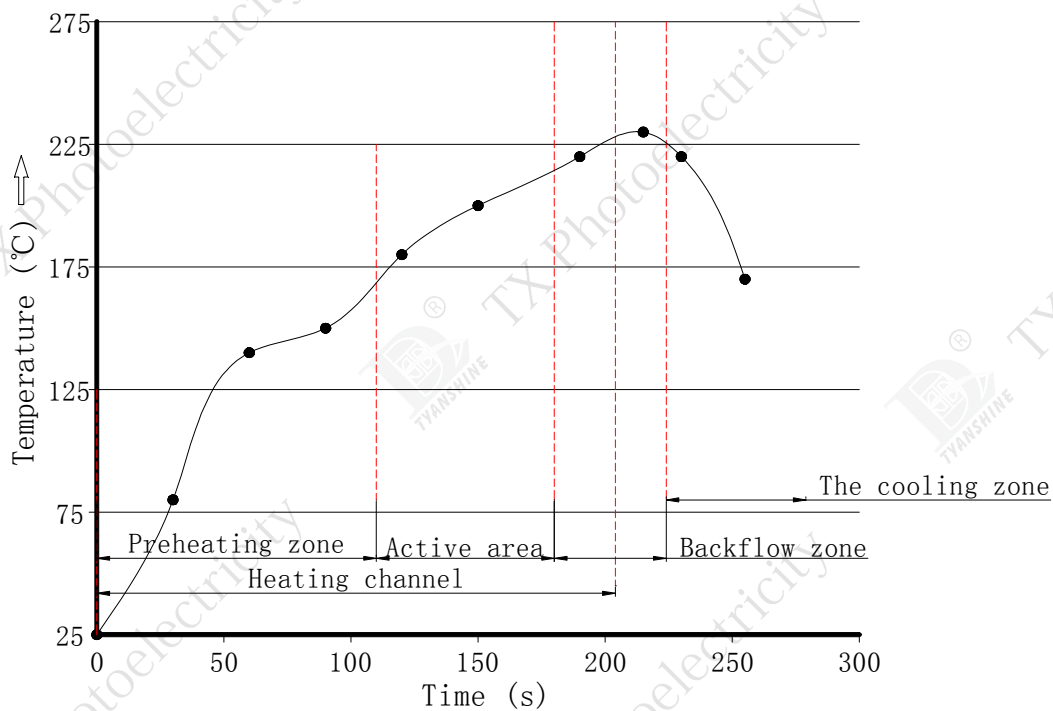
Temperature: 5°C ~ 30°C (41oF ~ 86oF)

Humidity: 60% RH Max.

Soldering

Use the conditions shown to the under figure.

Backflow welding recommended temperature curve



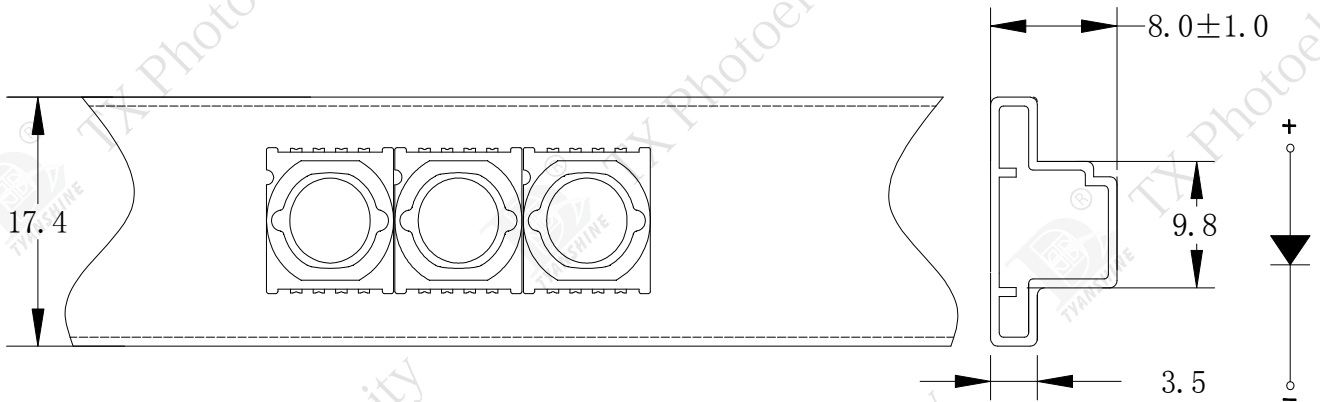
Profile Feature	Lead-Based Solder
Preheat: Temperature Min (T_{Smin})	25°C
Preheat: Temperature Max (T_{Smax})	170°C
Preheat: Time (T_{Smin} to T_{Smax})	60-120 seconds
Heating rate	1-3°C/sec
Time Maintained Above: Temperature (T_L)	170-215°C
Time Maintained Above: Time (T_L)	60-110 seconds
Reflux temperature	215-235°C
Reflux time	30-70 seconds
Cooling rate	3-5°C/sec

Note: All temperatures refer to topside of the package, measured on the package body surface.

Part No.	TX-RBWG8B120-001A	Spec No.	WKF-BB8007	Page	6 of 7
----------	-------------------	----------	------------	------	--------

Dimensions for Cannulation and Packaging

Quantity: 40PCS



Notes:

1. All dimensions are in millimeters (inches).
2. Tolerance is ± 2.0 mm (0.08") unless otherwise noted.
3. Product is packaged with silica gel to protect the light-emitting zone. Please avoid the light-emitting area from being pressed, stressed, rubbed, come into contact with sharp metal part which would damage the product.

Part No.	TX-RBWG8B120-001A	Spec No.	WKF-BB8007	Page	7 of 7
----------	-------------------	----------	------------	------	--------