

TX-3535P3FC120-OGHCNA72-03F

PRODUCT SPECIFICATION

Features:

- ◆ Excellent transiting heat from LED chip operating under 350mA.
- ◆ High luminous output.
- ◆ Encapsulated materials are environmentally certified and meet environmental requirements.

Chip Material:

- ◆ GaN

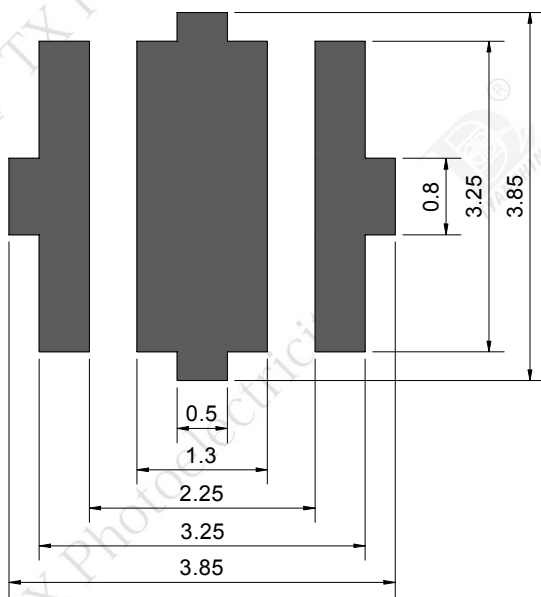
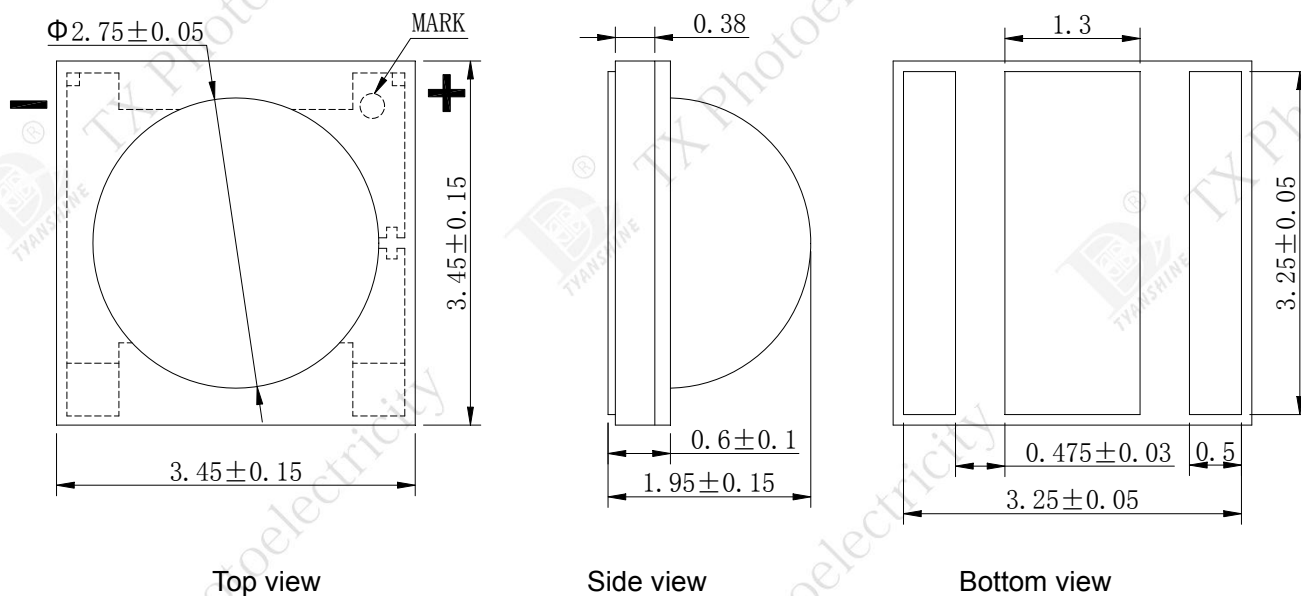
Emitting Color:

- ◆ Purple

Applications:

- ◆ Printing
- ◆ Curing
- ◆ PCB exposure

Package Dimensions:



Recommended solder pad



Recommended stencil pattern

Notes:

1. All dimensions are in millimeters .
2. Tolerances unless otherwise mentioned are ± 0.1 mm .

Absolute Maximum Ratings (Tc=25°C)

Parameter	Symbol	Ratings	Unit
Forward Current	IF	500	mA
Reverse Voltage	VR	7	V
Power Dissipation	PD	1900	mW
Junction Temperature	Tj	150	°C
Electrostatic Discharge Threshold (ESD)	ESD	ESD sensitive device	V
Storage Temperature	Tstg	-20~+70	°C
Operation Temperature	Topr	-30~+100	

Notes:

- Specifications are subject to change without notice.
- Under the stipulated Characteristics parameters above, the life span of the LED is more than 50,000hours.
- The data on this specification is for reference only and the actual data is in accordance with the acknowledgment.
- Precautions for ESD:
 STATIC SHIELD Electricity and surge damages the LED. It is recommended to use a wrist band or anti-electrostatic glove when handling the LED. All devices, equipment and machinery must be properly grounded.

Electrical Optical Characteristics (Tc=25°C)

Parameter	Symbol	Condition	Min.	Typ.	Max.	Units
Luminous Flux	ϕ_v	If=350mA	1.10	1.65	—	lm
Radiant Flux	Φ_e		470	510	—	mW
Peak Emission Wavelength	λ_p		390	395	400	nm
Dominant Wavelength	λ_d		380	390	400	nm
Spectral Line Half-Width	$\Delta\lambda$		20	25	30	nm
Forward Voltage	V_f		3.2	3.4	3.6	V
Viewing Angle at 50% IV	$2\theta_{1/2}$	—	—	120	—	Deg
Reverse Current	I_R	—	—	—	5	μA
Thermal Resistance Junction to Case	$R\theta_{J-C}$	If=350mA	—	8.6	—	K/W
Temperature Coefficient of Voltage	$V\Delta F/T$		—	-2	—	mV/°C

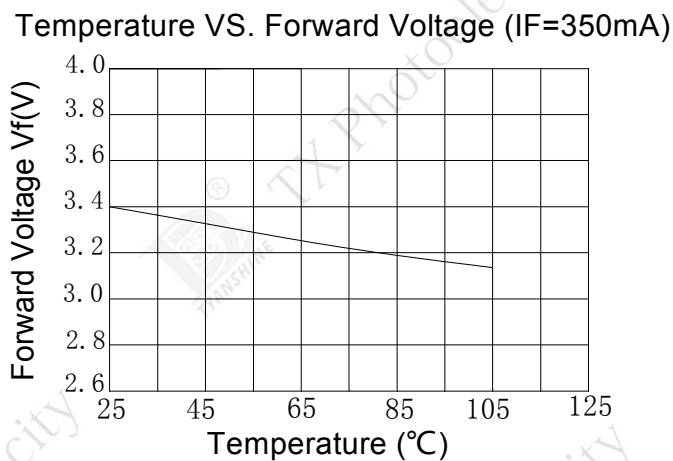
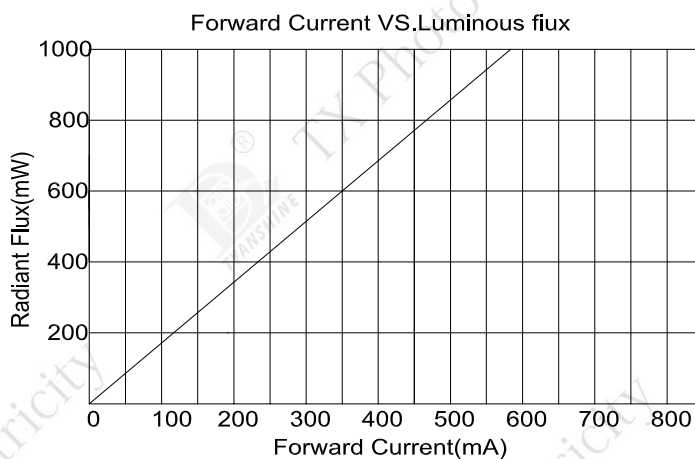
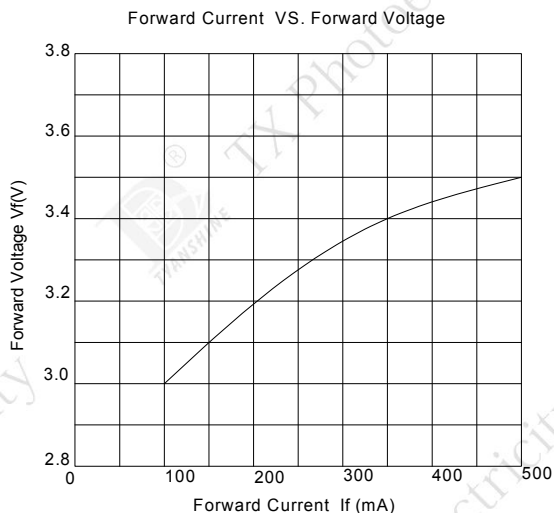
Notes:

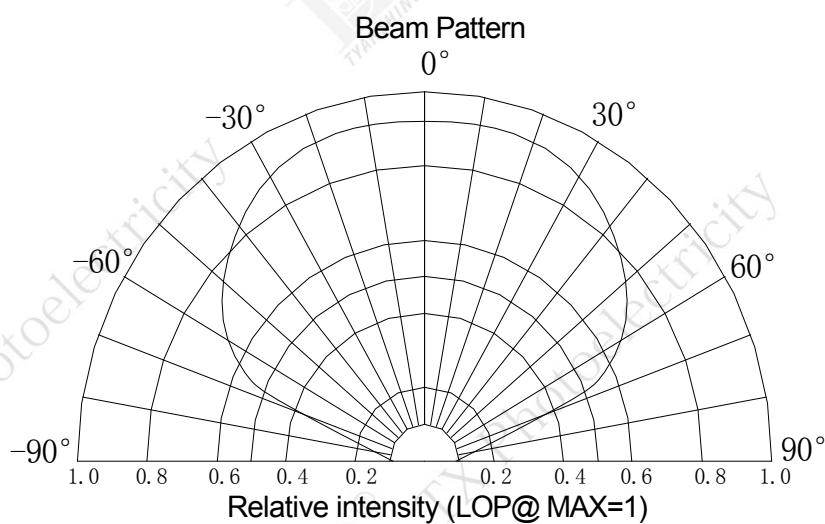
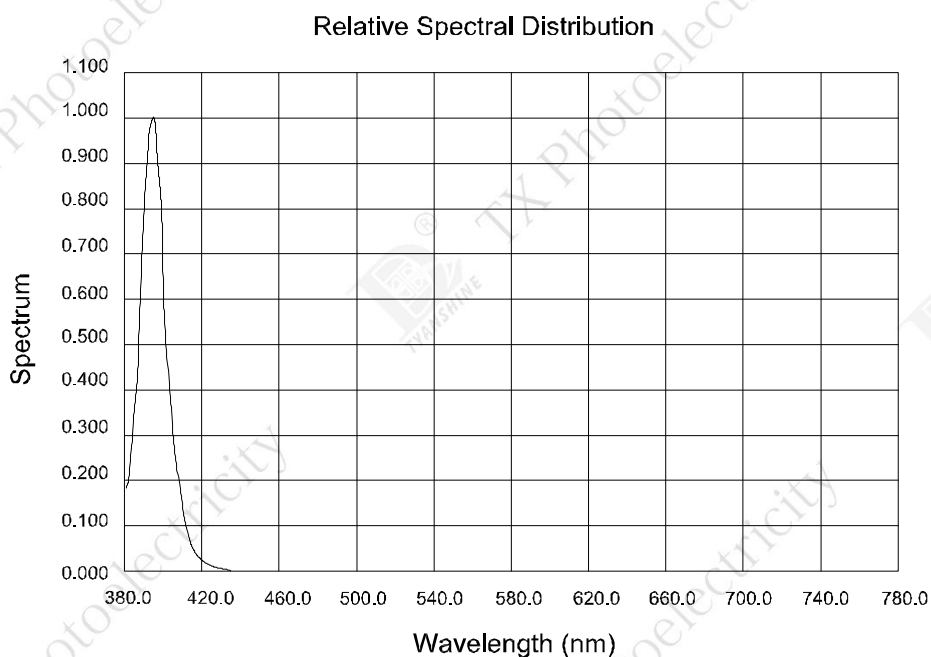
- Luminous intensity is measured with a light sensor and filter combination that approximates the CIE eye-response curve.
- $\theta_{1/2}$ is the off-axis angle at which the luminous intensity is half the axial luminous intensity.
- Luminous flux measurement tolerance: $\pm 15\%$.
- Forward voltage measurement tolerance: $\pm 0.15V$.

Part No.	TX-3535P3FC120-OGHCNA72-03F	Spec No.	WKF-BE0774	Page	4 of 8
----------	-----------------------------	----------	------------	------	--------

Typical Electrical/Optical Characteristics Curves

(25°C Ambient Temperature Unless Otherwise Noted)





Notes:

1. 2θ 1/2 is the off axis angle from lamp centerline where the luminous intensity is 1/2 of the peak value.
2. View angle tolerance is ± 5°.

Part No.	TX-3535P3FC120-OGHCNA72-03F	Spec No.	WKF-BE0774	Page 6 of 8
----------	-----------------------------	----------	------------	-------------

Usage Precautions

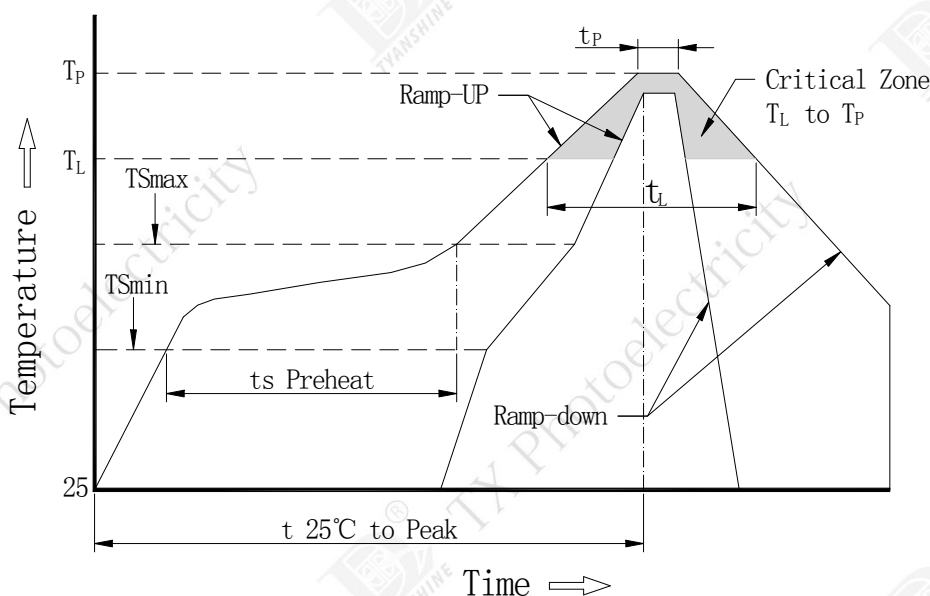
Storage Environment Condition

Temperature: 5°C ~ 30°C (41°F ~ 86°F)

Humidity: 60% RH Max.

Soldering Condition

Use the conditions shown in the figure below.



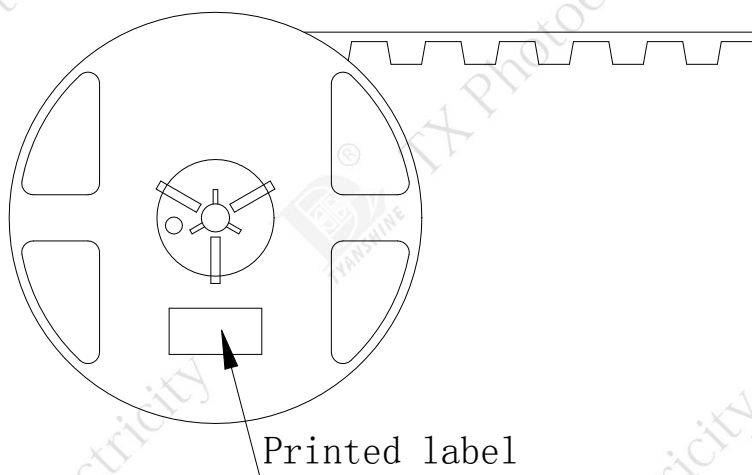
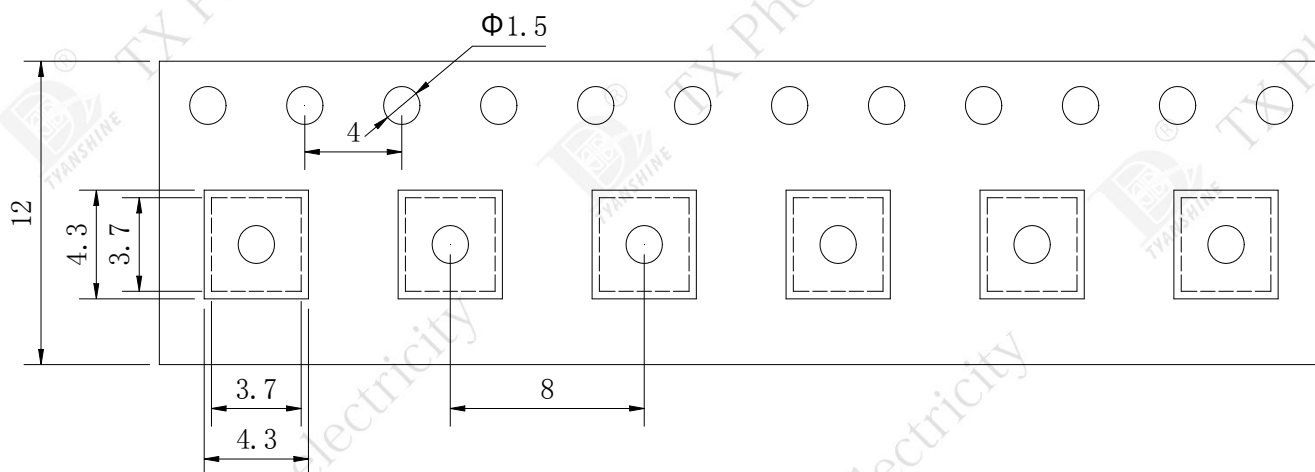
Profile Feature	Lead-Based Solder
Average Ramp-Up Rate (Tsmax to Tp)	3°C/second max.
Preheat: Temperature Min (Tsmin)	100°C
Preheat: Temperature Max (Tsmax)	150°C
Preheat: Time (Tsmin to Tsmax)	60-120 seconds
Time Maintained Above: Temperature (Tl)	183°C
Time Maintained Above: Time (tL)	60-150 seconds
Peak/Classification Temperature (Tp)	225°C
Time Within 5°C of Actual Peak Temperature (Tp)	10-30 seconds
Ramp-Down Rate	6°C/second max.
Time 25°C to Peak Temperature	6 minutes max.

Note:

All temperatures refer to topside of the package, measured on the package body surface.

Dimensions For Cannulation And Packaging

Quantity:1000 PCS



Notes:

1. All dimensions are in millimeters.
2. Tolerances are ± 2.0 mm unless otherwise noted.
3. The products are packaged together with silica gel, Transport, not to the weight of welding LED light-emitting area, As a result of the weight of LED light-emitting zone in the quality of, Irreponsible of the Company.

Part No.	TX-3535P3FC120-OGHCNA72-03F	Spec No.	WKF-BE0774	Page	8 of 8
----------	-----------------------------	----------	------------	------	--------