

TX-3535W3FC120-OGVCND34-A03F

PRODUCT SPECIFICATION

Features:

- ◆ Excellent transiting heat from LED chip operating under 700 mA.
- ◆ High luminous output.
- ◆ No UV.
- ◆ Encapsulated materials are environmentally certified and meet environmental requirements.

Chip Material:

- ◆ GaN

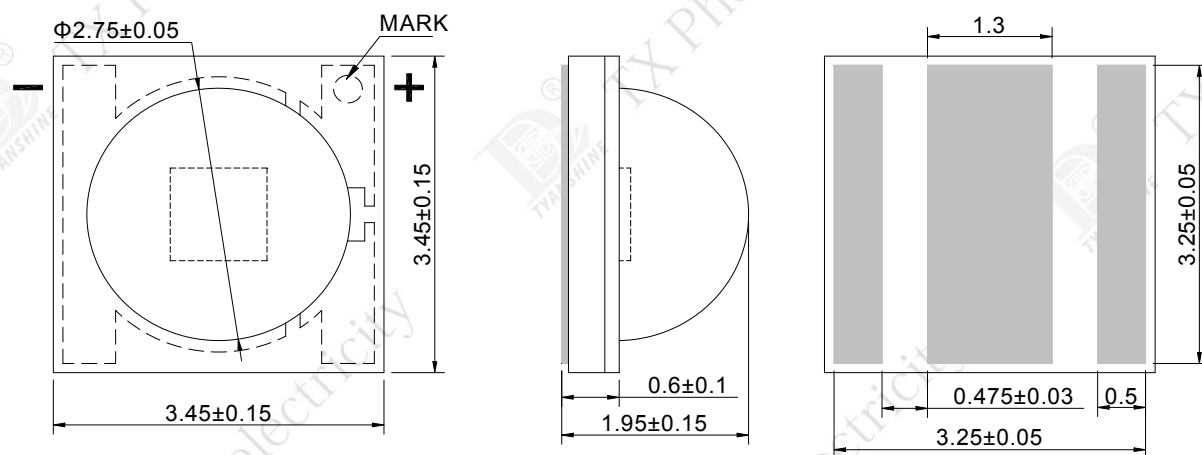
Emitting Color:

- ◆ white

Applications:

- ◆ Auxiliary lighting
- ◆ Architectural lighting
- ◆ General Lighting

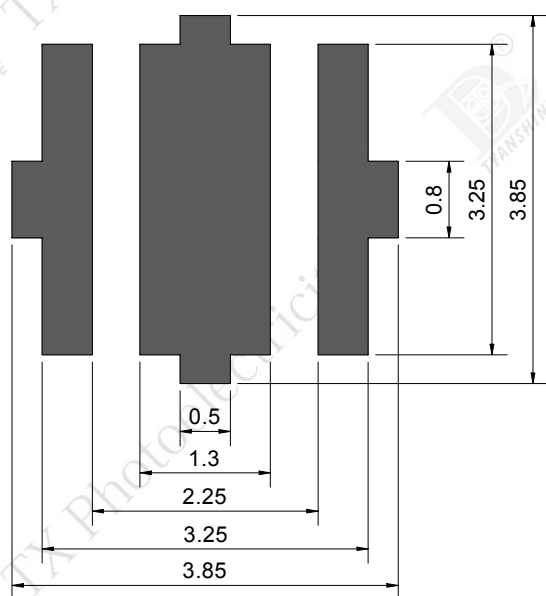
Package Dimensions:



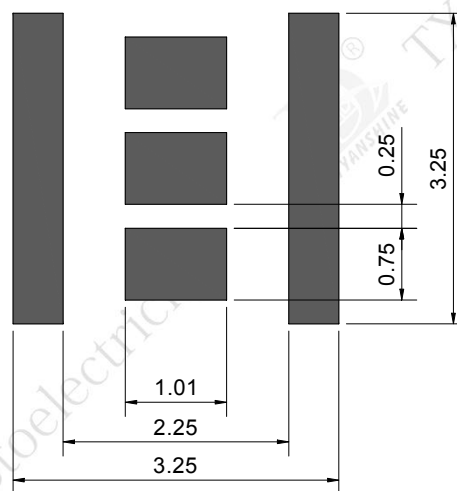
Top view

Side view

Bottom view



Recommended solder pad



Recommended stencil pattern

Notes:

1. All dimensions are in millimeters .
2. Tolerances unless otherwise mentioned are ± 0.1 mm .

Part No.	TX-3535W3FC120-OGVCND34-A03F	Spec No.	WKF-BE0165	Page	2 of 10
----------	------------------------------	----------	------------	------	---------

Absolute Maximum Ratings (Tc=25°C)

Parameter	Symbol	Ratings	Unit
Forward Current	IF	1000	mA
Reverse Voltage	V _R	5	V
Power Dissipation	P _D	3.25	W
Junction Temperature	T _j	150	°C
Electrostatic Discharge Threshold (ESD)	ESD	ESD sensitive device	V
Storage Temperature	T _{stg}	-20~+70	°C
Operation Temperature	T _{opr}	-40~+100	

Notes:

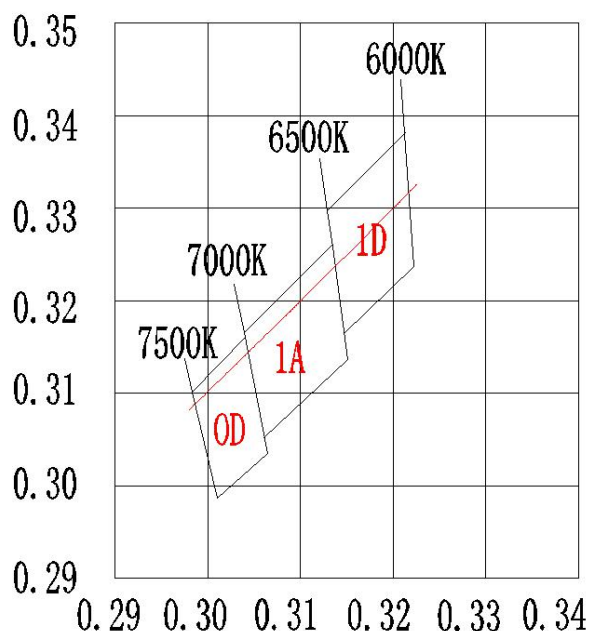
- Specifications are subject to change without notice.
- Under the stipulated Characteristics parameters above, the life span of the LED is more than 50,000hours.
- The data on this specification is for reference only and the actual data is in accordance with the acknowledgment.
- Precautions for ESD:
 STATIC SHIELD Electricity and surge damages the LED. It is recommended to use a wrist band or anti-electrostatic glove when handling the LED. All devices, equipment and machinery must be properly grounded.



Electrical Optical Characteristics (Tc=25°C)

Parameter	Symbol	Condition	Min.	Typ.	Max.	Units
Luminous Flux	ϕ_v	If=350mA	110	145	160	lm
Correlated Colour Temperature	CCT		6000	6750	7500	K
Spectral Line Half-Width	$\Delta\lambda$		20	25	30	nm
Forward Voltage	V_f		2.75	3.0	3.25	V
Viewing Angle at 50% IV	$2\theta_{1/2}$	—	—	120	—	Deg
Reverse Current	I_R	$V_R=-5V$	—	—	2	μA
Thermal Resistance Junction to Case	$R\theta_{J-C}$	If=350mA	—	8.0	—	K/W
Temperature Coefficient of Voltage	$V\Delta F/T$		—	-2	—	mV/°C
Color Rendering Index	Ra		75	—	—	—

White light Color coordinate filing



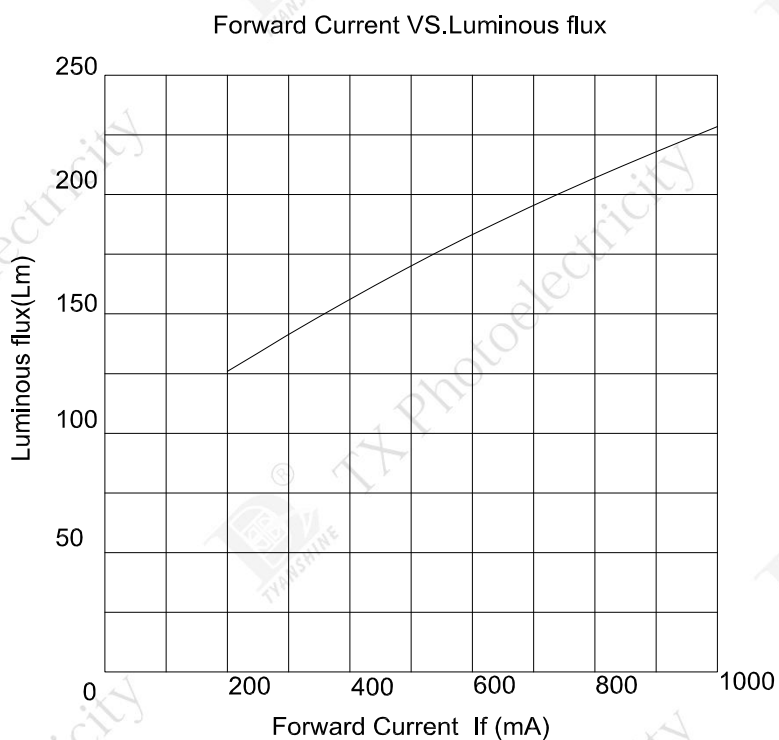
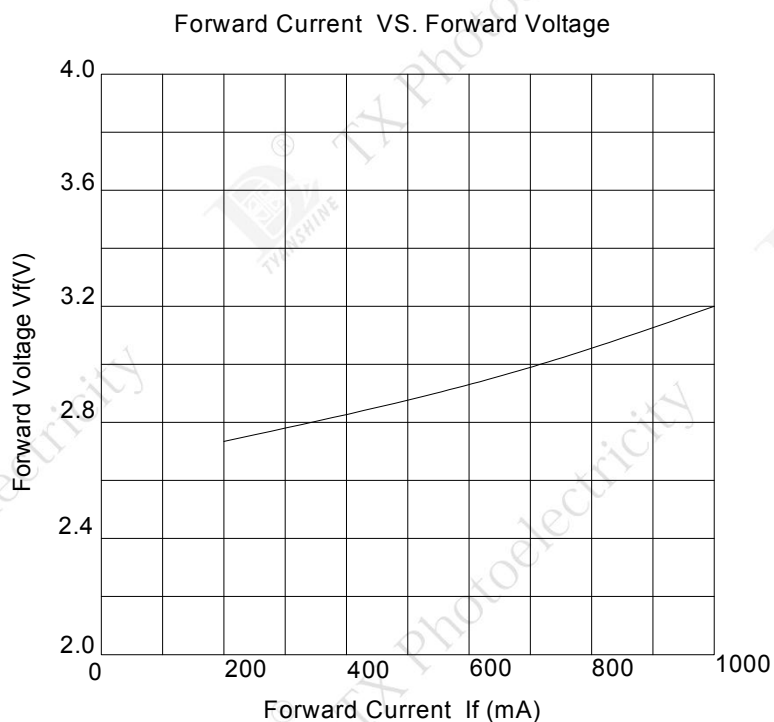
Grade	TC	P1		P2		P3		P4	
		X1	Y1	X2	Y2	X3	Y3	X4	Y4
1D	6000 - 6500K	0.4679	0.3427	0.4669	0.3571	0.4585	0.3487	0.4603	0.3354
1A	6500 - 7000K	0.4607	0.3326	0.4590	0.3450	0.4495	0.3356	0.4517	0.3242
0D	7000 - 7500K	0.4520	0.3225	0.4496	0.3350	0.4439	0.3291	0.4467	0.3176

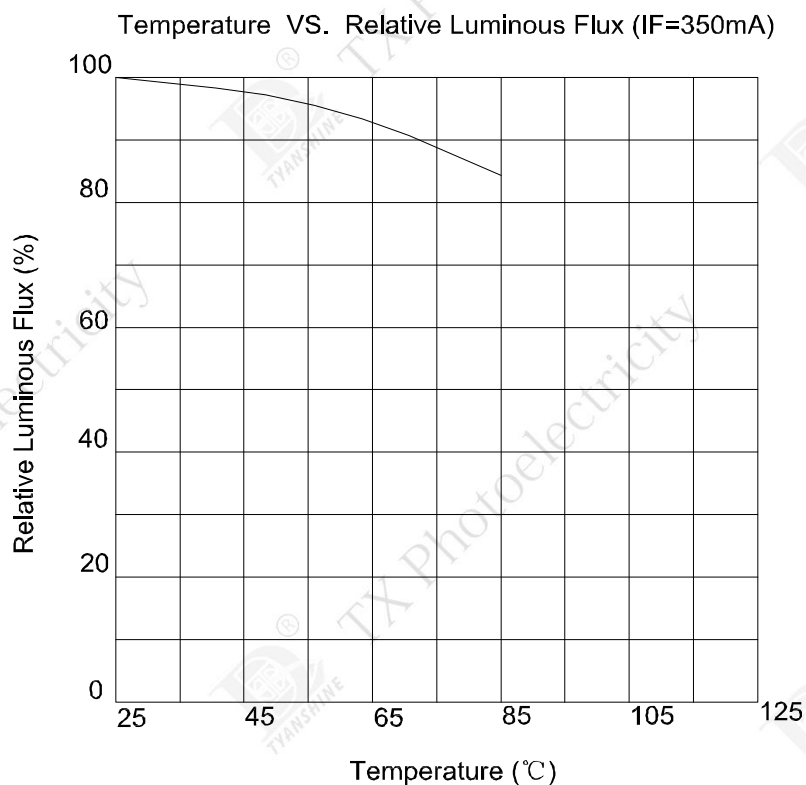
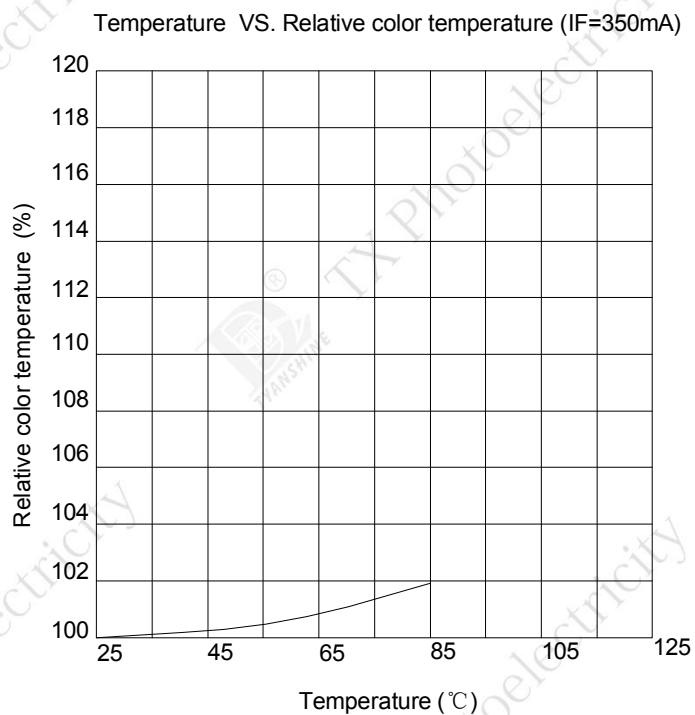
Notes:

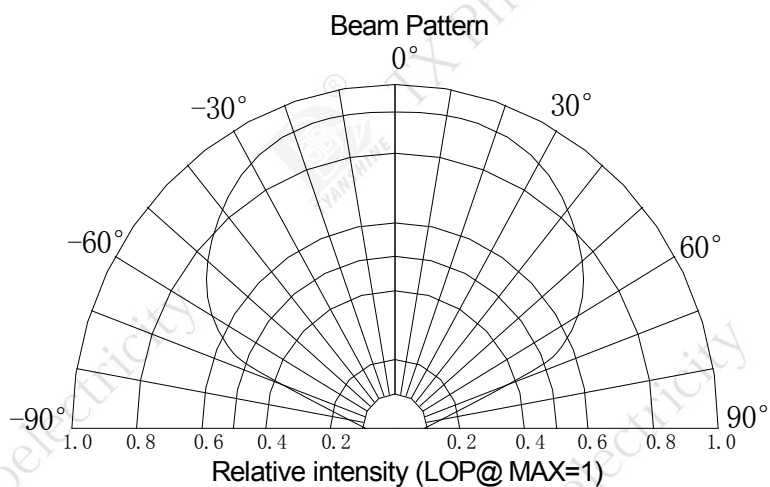
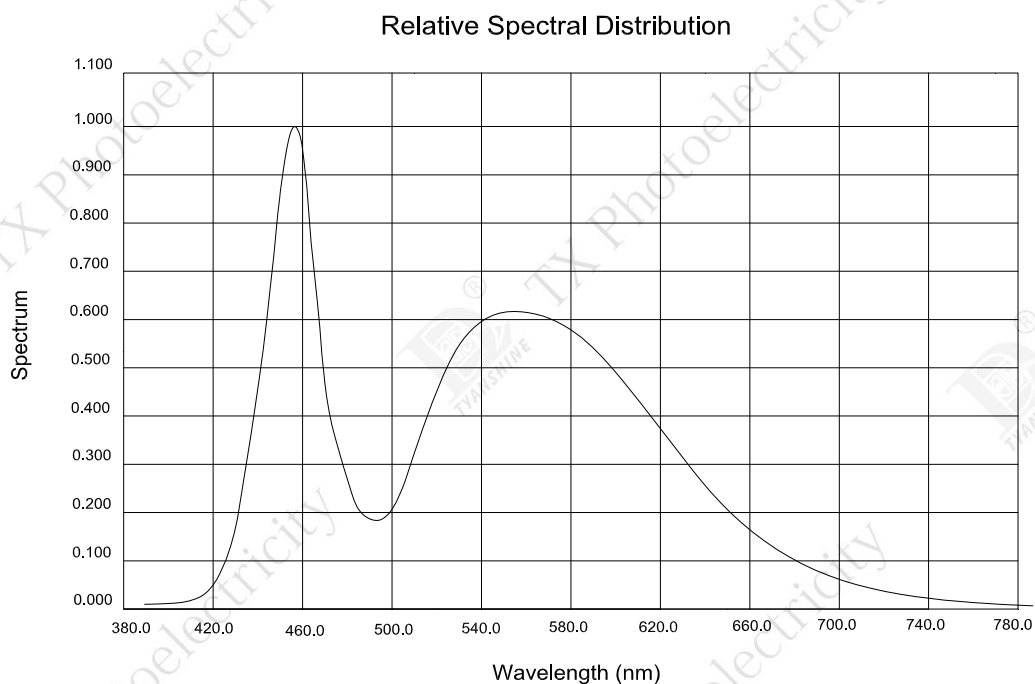
- 1.Luminous intensity is measured with a light sensor and filter combination that approximates the CIE eye-response curve.
2. $\theta_{1/2}$ is the off-axis angle at which the luminous intensity is half the axial luminous intensity.
- 3.Luminous flux measurement tolerance: $\pm 15\%$.
- 4.Forward voltage measurement tolerance: $\pm 0.15V$.

Typical Electrical/Optical Characteristics Curves

(25°C Ambient Temperature Unless Otherwise Noted)







Notes:

1. $2\theta_{1/2}$ is the off axis angle from lamp centerline where the luminous intensity is 1/2 of the peak value.
2. View angle tolerance is $\pm 5^\circ$.

Usage Precautions

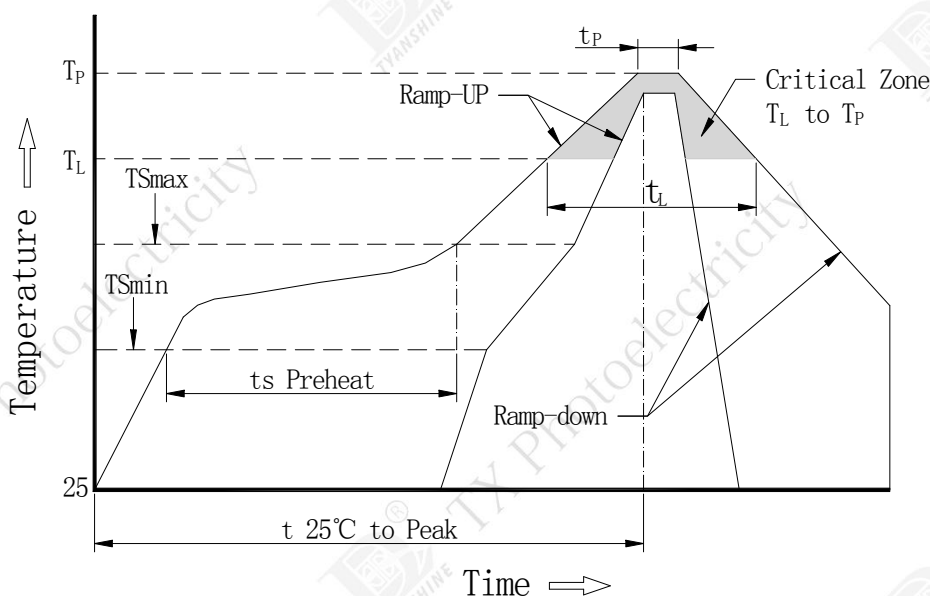
Storage Environment Condition

Temperature: 5°C ~ 30°C (41°F ~ 86°F)

Humidity: 60% RH Max.

Soldering Condition

Use the conditions shown to the under figure.



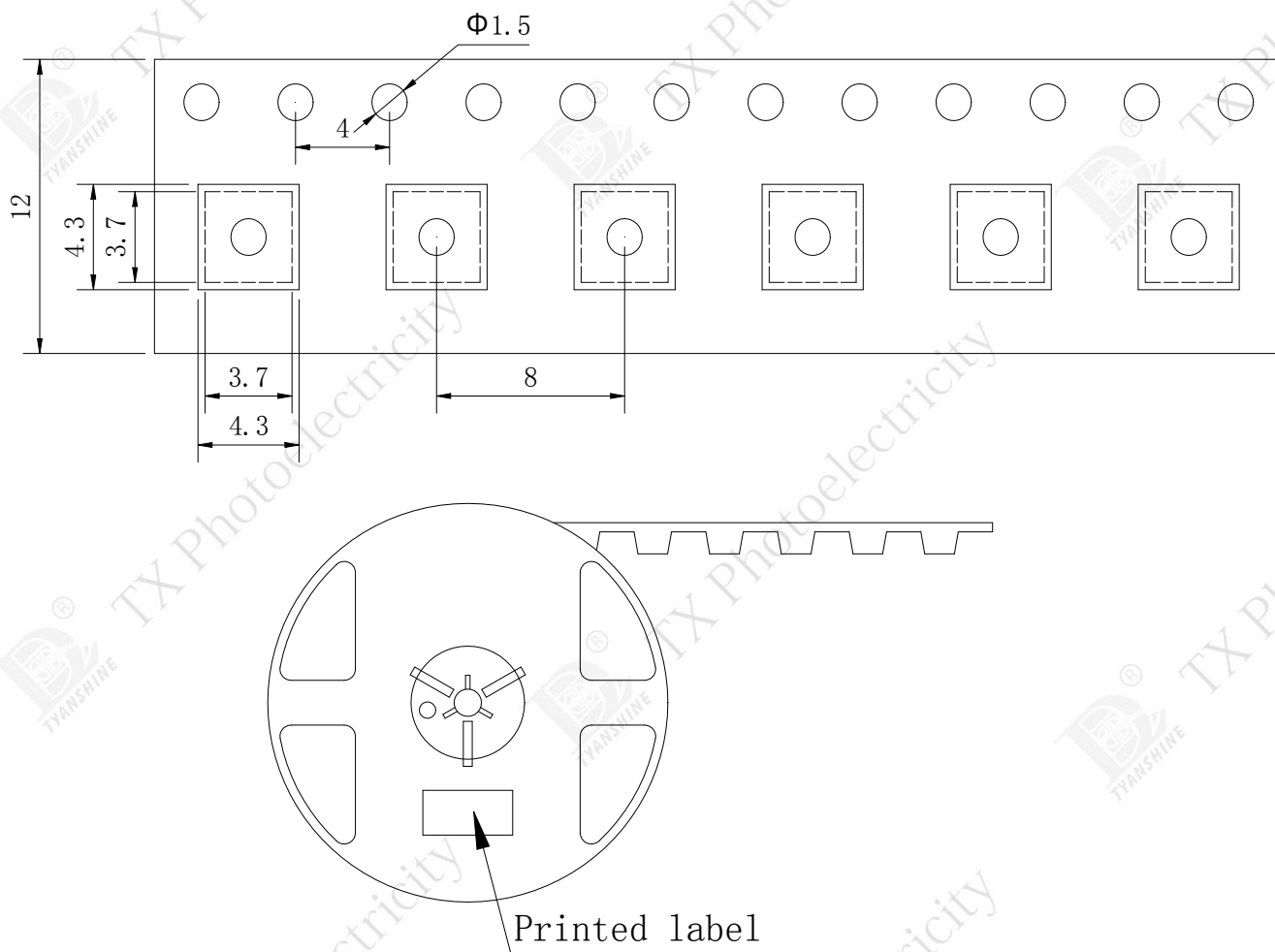
Profile Feature	Lead-Based Solder
Average Ramp-Up Rate (T_{Smax} to T_P)	3°C/second max.
Preheat: Temperature Min (T_{Smin})	100°C
Preheat: Temperature Max (T_{Smax})	150°C
Preheat: Time (T_{Smin} to T_{Smax})	60-120 seconds
Time Maintained Above: Temperature (T_L)	183°C
Time Maintained Above: Time (T_L)	60-150 seconds
Peak/Classification Temperature (T_P)	225°C
Time Within 5°C of Actual Peak Temperature (T_P)	10-30 seconds
Ramp-Down Rate	6°C/second max.
Time 25°C to Peak Temperature	6 minutes max.

Note:

All temperatures refer to topside of the package, measured on the package body surface.

Dimensions For Cannulation And Packaging

Quantity:1000 PCS



Notes:

1. All dimensions are in millimeters.
2. Tolerances are ± 2.0 mm unless otherwise noted.
3. The products are packaged together with silica gel, Transport, not to the weight of welding LED light-emitting area, As a result of the weight of LED light-emitting zone in the quality of, Irreponsible of the Company.

Part No.	TX-3535W3FC120-OGVCND34-A03F	Spec No.	WKF-BE0165	Page	10 of 10
----------	------------------------------	----------	------------	------	----------