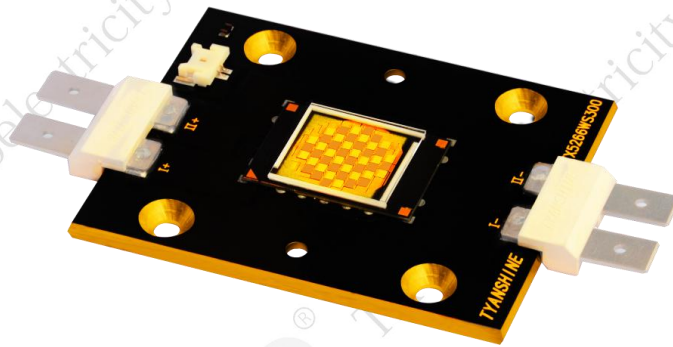


Preliminary

TX-5266WS300FC120-NUVENG-01H95 DATA SHEET



Approved by:

Checked by:

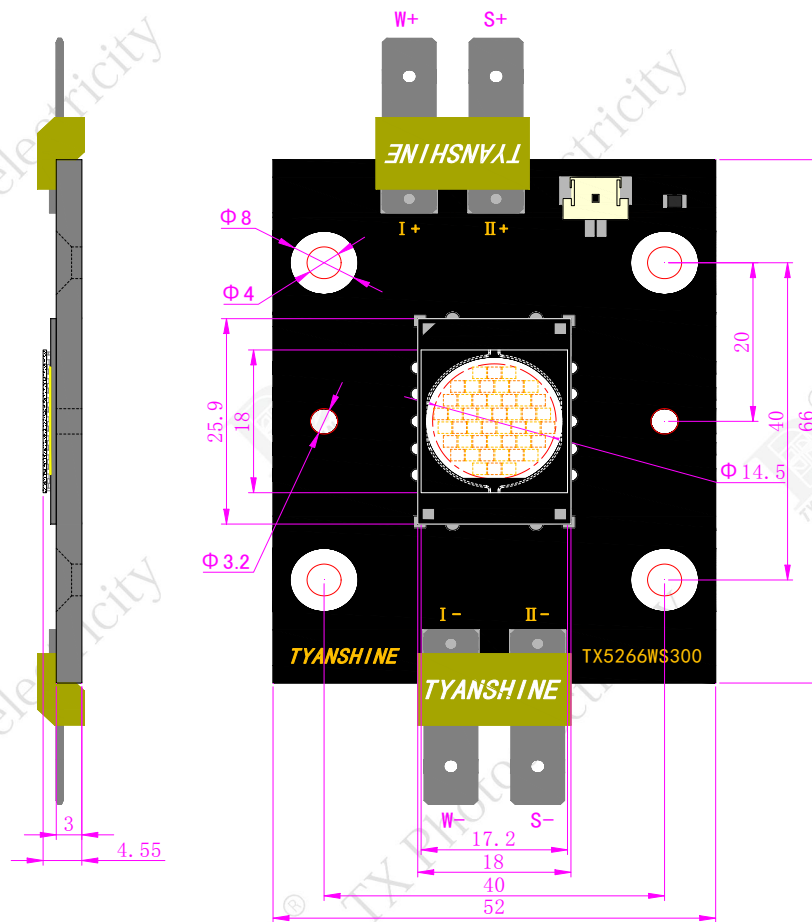
Prepared by:

Part No.	TX-5266WS300FC120-NUVENG-01H95	Spec No.	WKF-BE0381	Page	1 of 6
-----------------	--------------------------------	-----------------	------------	-------------	--------

Features:

- ◆ Excellent Transiting Heat from LED Chip Operating under 7500mA
- ◆ High Luminous Output
- ◆ No UV
- ◆ Light emitting area is small, power per unit area of up to 5W/mm²
- ◆ Three color and four color melange effect is superior to similar products on the light

Package Dimensions:



Notes:

1. All dimensions are in millimeters (inches).
2. Tolerance is ± 0.25 mm (0.01") unless otherwise noted.

Part NO.	Chip Material		Lens Color	Emitting Color
TX-5266WS300FC120 -NUVENG-01H95	White	Warm White	Water Clear	White & Warm white
	GaInN	GaInN		

Absolute Maximum Ratings at Ta=25°C

Parameter	Symbol	MAX.	Unit
LED Junction Temperature	T _j	150	°C
Power Dissipation	P _D	W	W
		S	
Peak Forward Current (1/10 Duty Cycle, 0.1ms Pulse Width)	I _{FP}	—	mA
Continuous Forward Current	I _F	7500	mA
Reverse Voltage	V _R	—	V
Electrostatic Discharge Threshold (ESD)	ESD	2000	V
Operating Temperature Range	T _{opr}	-40 to +70	°C
Storage Temperature Range	T _{spr}	-40 to +100	

Notes:

1. Specifications are subject to change without notice.
2. Under the stipulated Characteristics parameters above, the life span of the LED is more than 50,000hours.
3. The data on this specification is for reference only and the actual data is in accordance with the acknowledgment.
4. Precautions for ESD:
STATIC SHIELD Electricity and surge damages the LED. It is recommended to use a wrist band or anti-electrostatic glove when handling the LED. All devices, equipment and machinery must be properly grounded.

Characteristics at If=7500mA :

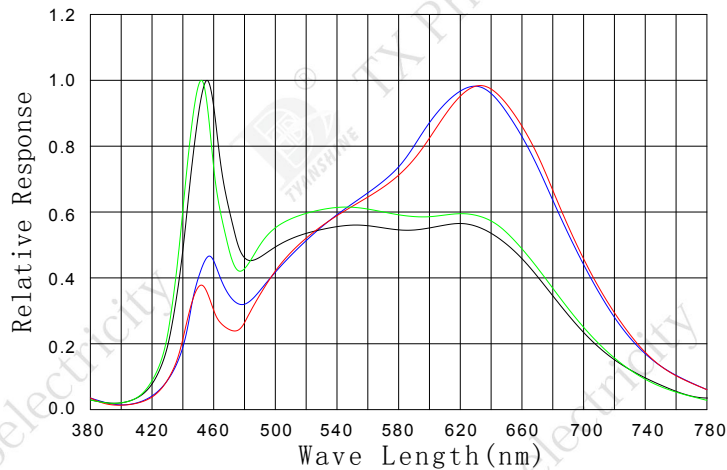
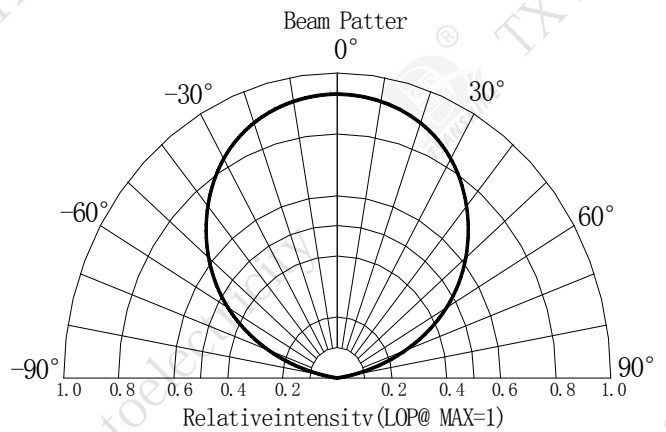
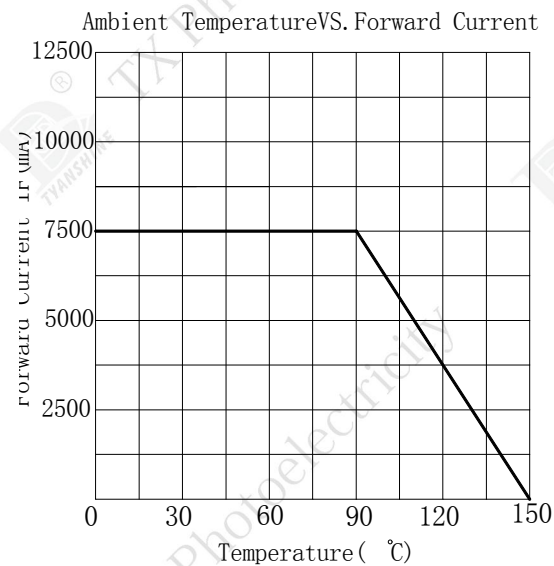
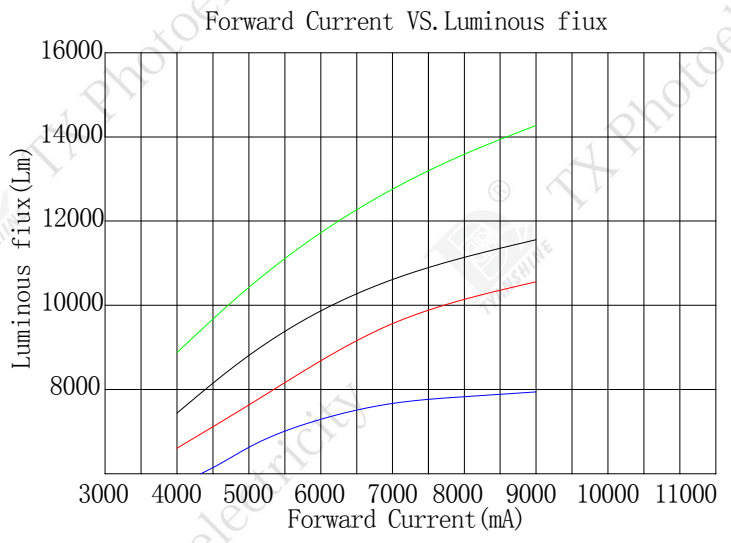
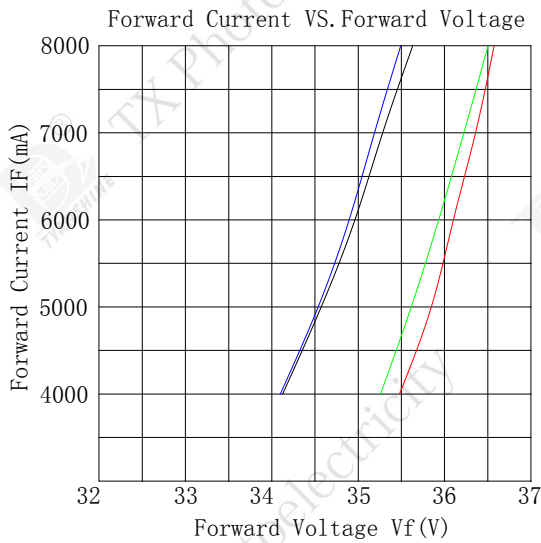
Parameter	Symbol		Values			Units
			Min.	Typ.	Max.	
Luminous Flux	$\phi_v(T_a=25^\circ\text{C})$	W	12500	13200	—	lm
		S	9000	9800	—	
	$\phi_v(T_a=85^\circ\text{C})$	W	10000	11000	—	lm
		S	7000	7800	—	
Viewing Angle at 50% IV	$2\theta_{1/2}$		—	115	—	Deg
Forward Voltage	$V_f(T_a=25^\circ\text{C})$	W	33	36.5	40	V
		S	33	36.5	40	
	$V_f(T_a=85^\circ\text{C})$	W	32	35.5	39	V
		S	32	35.5	39	
Correlated Colour Temperature	$\text{CCT}(T_a=25^\circ\text{C})$	W	5000	5500	6500	K
		S	2850	3050	3250	
	$\text{CCT}(T_a=85^\circ\text{C})$	W	5000	5600	6500	K
		S	2850	3100	3250	
Reverse Current	I_R		—	—	—	μA
Thermal Resistance Junction to Case	$R\theta_{J-C}$		—	0.05	—	K/W
Temperature Coefficient of Forward Voltage	$V\Delta F/T$		—	-24	—	mV/°C
Color Rendering Index	Ra		95	97	—	—
Thermistor(NTC)	Rt25		—	10	—	K Ω

Notes:

- Luminous intensity is measured with a light sensor and filter combination that approximates the CIE eye-response curve.
- $\theta_{1/2}$ is the off-axis angle at which the luminous intensity is half the axial luminous intensity
- The dominant wavelength (λ_d) is derived from the CIE chromaticity diagram and represents the single wavelength which defines the color of the device.
- Flux is measured with an accuracy of $\pm 15\%$.
- Forward voltage is measured with an accuracy of $\pm 0.15\text{V}$.
- CCT selection acc. to CCT groups and an accuracy of $\pm 300\text{K}$.

Typical Electrical / Optical Characteristics Curves

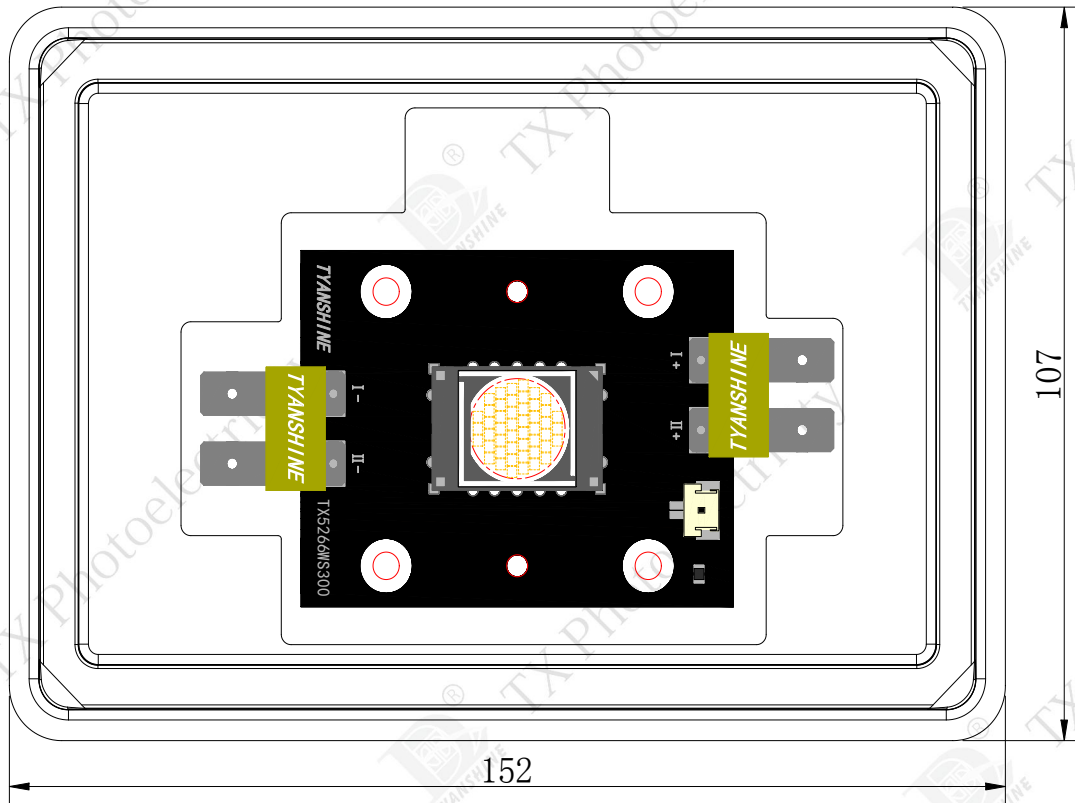
(25°C Ambient Temperature Unless Otherwise Noted)



Note: — (Ta=25°C) Warm white; — (Ta=25°C) White; — (Ta=85°C) Warm white; — (Ta=85°C) White;

Dimensions for Cannulation and Packaging

Quantity: 1 PCS



Notes:

1. All dimensions are in millimeters (inches).
2. Tolerance is ± 2.0 mm (0.08") unless otherwise noted.
3. Product is packaged with glass cover to protect the light-emitting zone. Please avoid the light-emitting area from being pressed, stressed, rubbed, come into contact with sharp metal part which would damage the product.