

# TX-2525W2FC120-OGVCND34-B02

## PRODUCT SPECIFICATION

### Features:

- ◆ Excellent transiting heat from LED chip operating under 700mA.
- ◆ High luminous output.
- ◆ No UV.
- ◆ Encapsulated materials are environmentally certified and meet environmental requirements.

### Chip Material:

- ◆ GaN

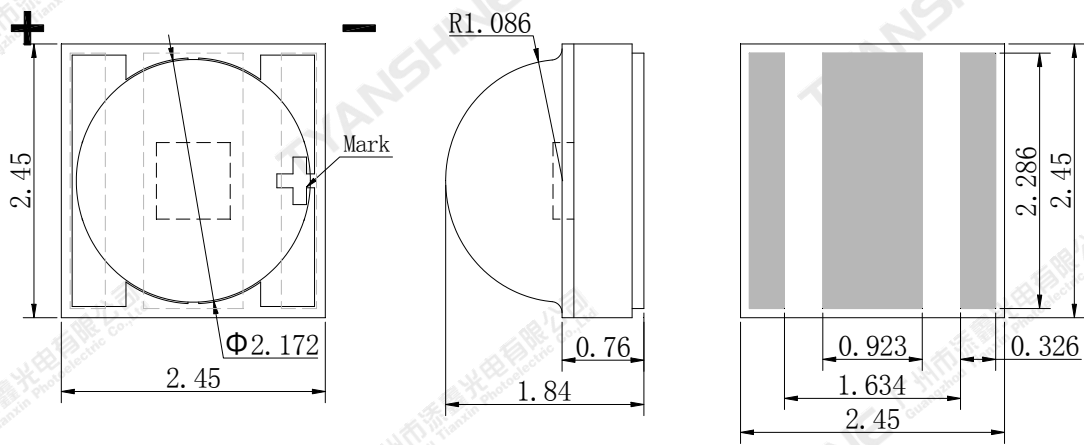
### Emitting Color:

- ◆ white

### Applications:

- ◆ Auxiliary lighting
- ◆ Architectural lighting
- ◆ General Lighting

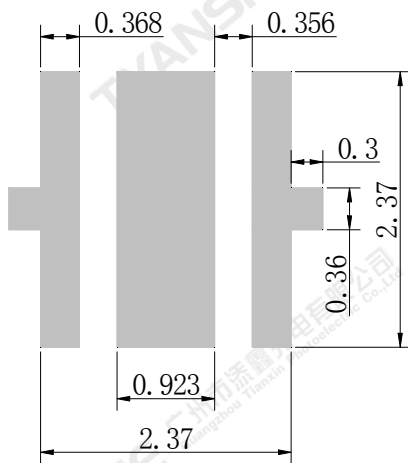
**Package Dimensions:**



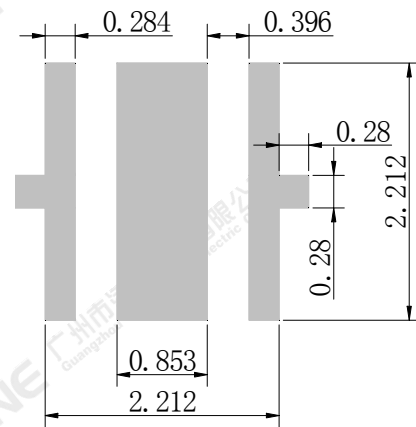
Top view

Side view

Bottom view



Recommended solder pad



Recommended stencil pattern

**Notes:**

- 1.All dimensions are in millimeters .
- 2.Tolerances unless otherwise mentioned are  $\pm 0.1$ mm .

**Absolute Maximum Ratings (Tc=25°C)**

Parameter	Symbol	Ratings	Unit
Forward Current	IF	700	mA
Reverse Voltage	VR	Not designed for reverse operation	V
Power Dissipation	PD	2450	mW
Junction Temperature	Tj	150	°C
Electrostatic Discharge Threshold (ESD)	ESD	2000	V
Storage Temperature	Tstg	-40~+70	°C
Operation Temperature	Topr	-30~+100	

**Notes:**

- Specifications are subject to change without notice.
- The data on this specification is for reference only and the actual data is in accordance with the acknowledgment.
- Precautions for ESD:  
STATIC SHIELD Electricity and surge damages the LED. It is recommended to use a wrist band or anti-electrostatic glove when handling the LED. All devices, equipment and machinery must be properly grounded.

**Electrical Optical Characteristics (Tc=25°C)**

Parameter	Symbol	Condition	Min.	Typ.	Max.	Units
Luminous Flux	$\phi_v$	If=350mA	85	105	—	lm
Correlated Colour Temperature	CCT		4000	—	7000	K
Forward Voltage	$V_f$		3.0	3.2	3.5	V
Viewing Angle at 50% IV	$2\theta_{1/2}$	—	—	120	—	Deg
Reverse Current	$I_R$	—	—	—	2	$\mu A$
Thermal Resistance Junction to Case	$R_{\theta J-C}$	If=350mA	—	25.2	—	K/W
Temperature Coefficient of Voltage	$V_{\Delta F/T}$		—	-2	—	mV/°C

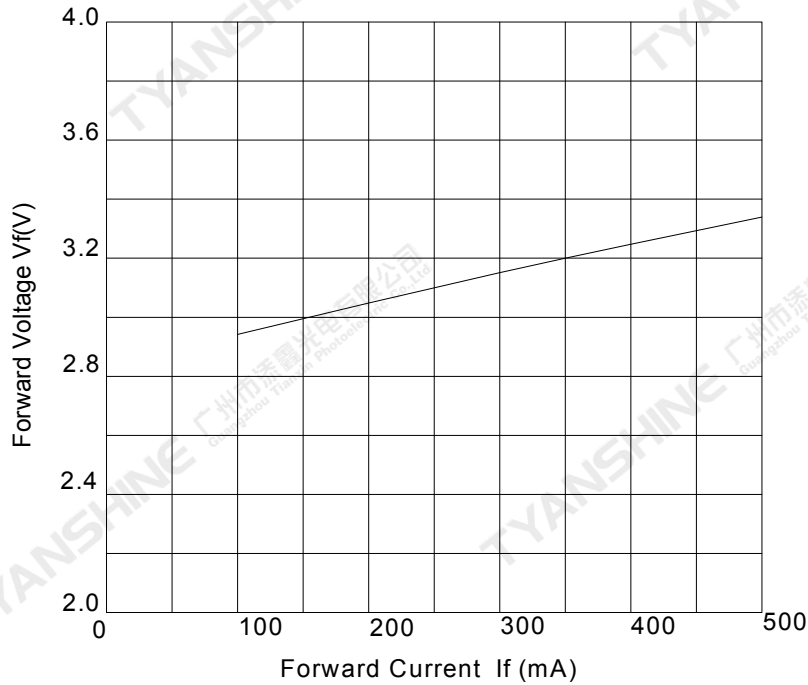
**Notes:**

- 1.Luminous intensity is measured with a light sensor and filter combination that approximates the CIE eye-response curve.
2. $\theta_{1/2}$  is the off-axis angle at which the luminous intensity is half the axial luminous intensity.
- 3.Luminous flux measurement tolerance:±15%.
- 4.Forward voltage measurement tolerance:±0.15V.

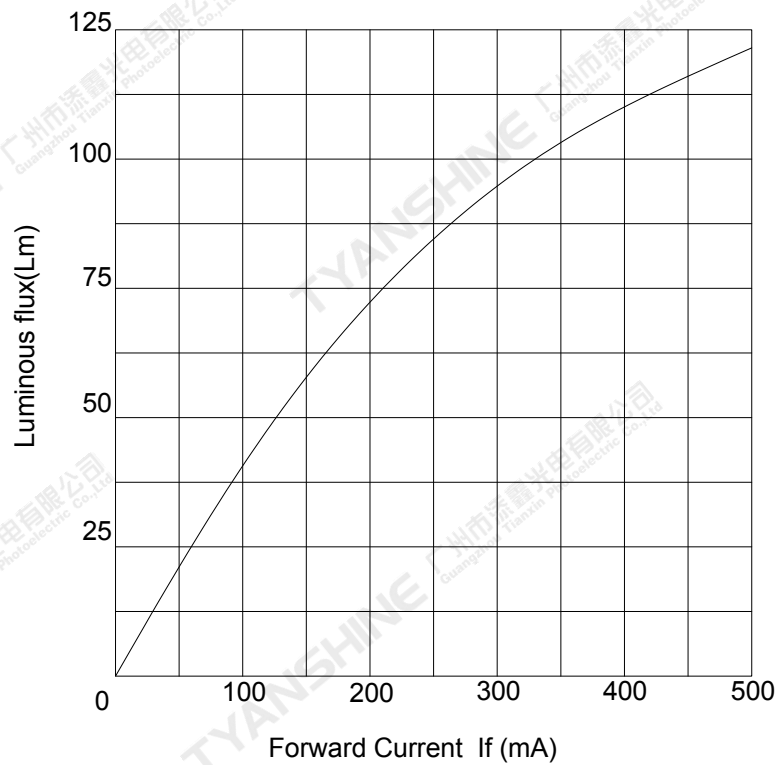
## Typical Electrical/Optical Characteristics Curves

(25°C Ambient Temperature Unless Otherwise Noted)

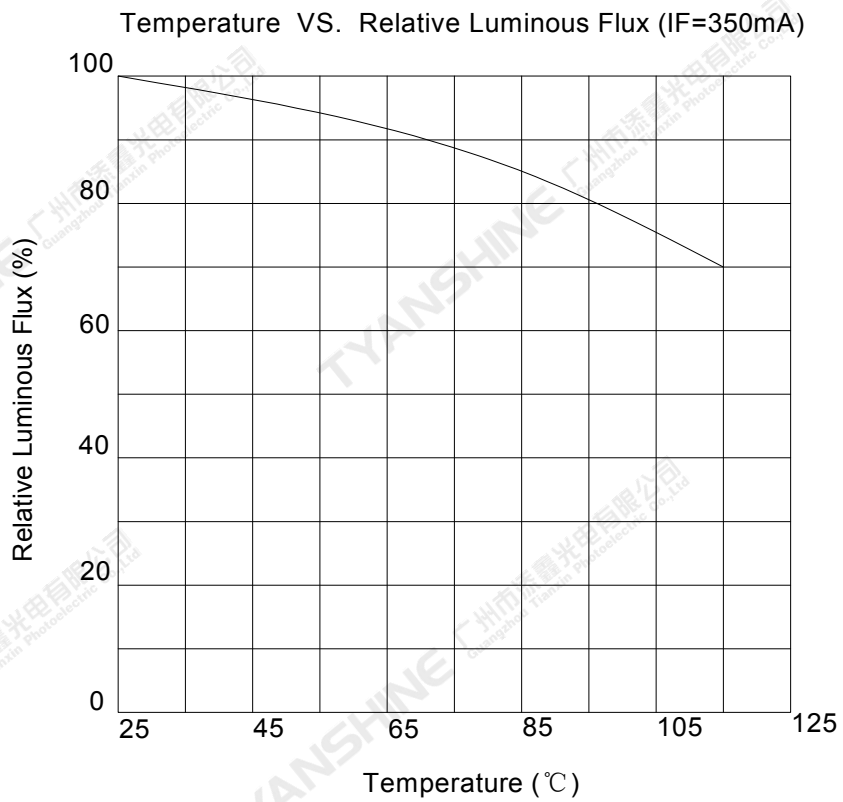
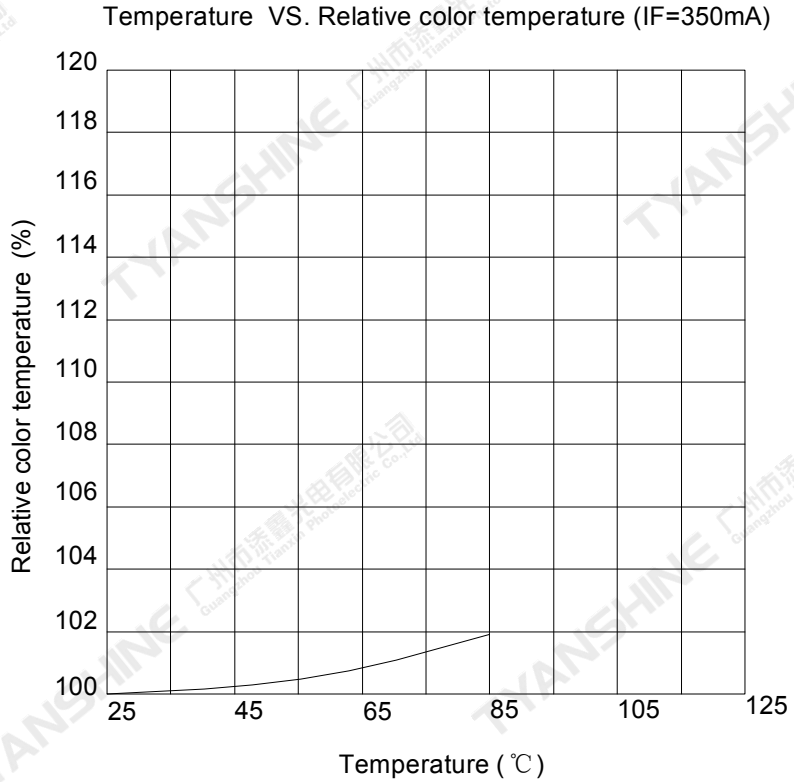
Forward Current VS. Forward Voltage

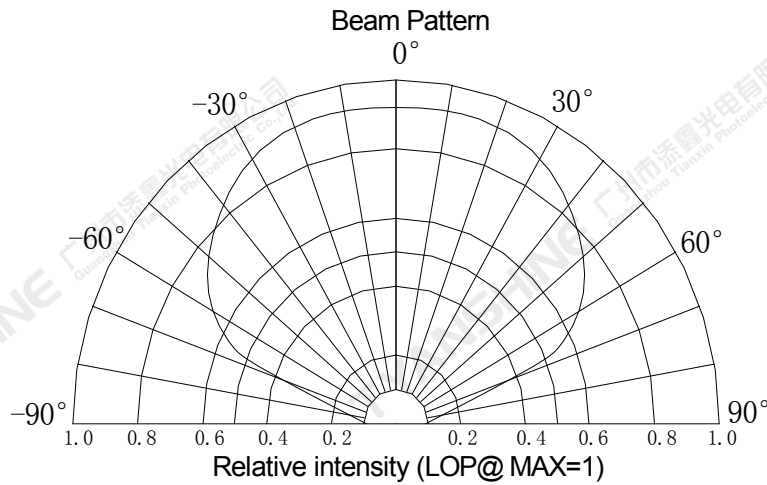
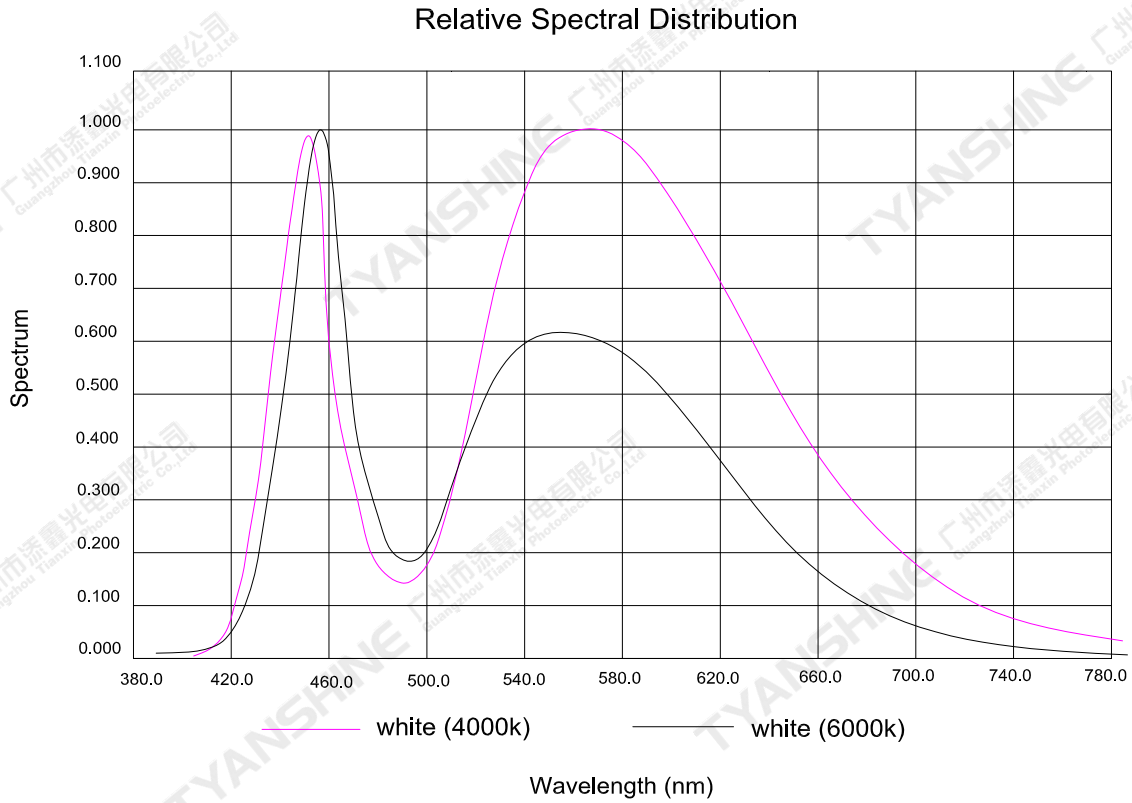


Forward Current VS. Luminous flux



Part No.	TX-2525W2FC120-OGVCND34-B02	Spec No.	WKF-BE0715	Page	5 of 9
----------	-----------------------------	----------	------------	------	--------





**Notes:**

1.  $2\theta_{1/2}$  is the off axis angle from lamp centerline where the luminous intensity is 1/2 of the peak value.
2. View angle tolerance is  $\pm 5^\circ$ .

Part No.	TX-2525W2FC120-OGVCND34-B02	Spec No.	WKF-BE0715	Page 7 of 9
----------	-----------------------------	----------	------------	-------------

## Usage Precautions

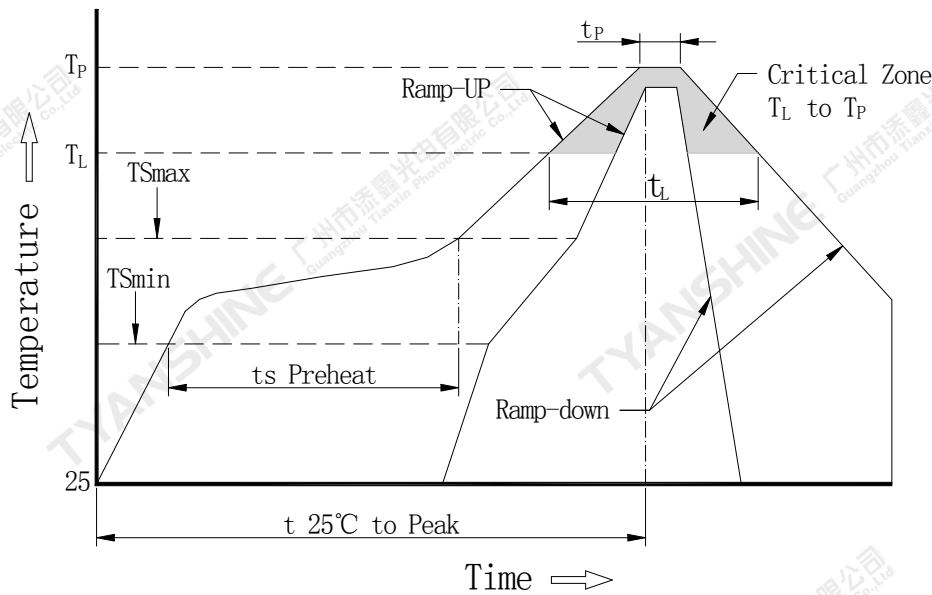
### Storage Environment Condition

Temperature: 5°C ~ 30°C (41°F ~ 86°F)

Humidity: 60% RH Max.

### Soldering Condition

Use the conditions shown to the under figure.



Profile Feature	Lead-Based Solder
Average Ramp-Up Rate (TSmax to TP)	3°C/second max.
Preheat: Temperature Min (TSmin)	100°C
Preheat: Temperature Max (TSmax)	150°C
Preheat: Time (TSmin to TSmax)	60-120 seconds
Time Maintained Above: Temperature (TL)	183°C
Time Maintained Above: Time (TL)	60-150 seconds
Peak/Classification Temperature (TP)	225°C
Time Within 5°C of Actual Peak Temperature (TP)	10-30 seconds
Ramp-Down Rate	6°C/second max.
Time 25°C to Peak Temperature	6 minutes max.

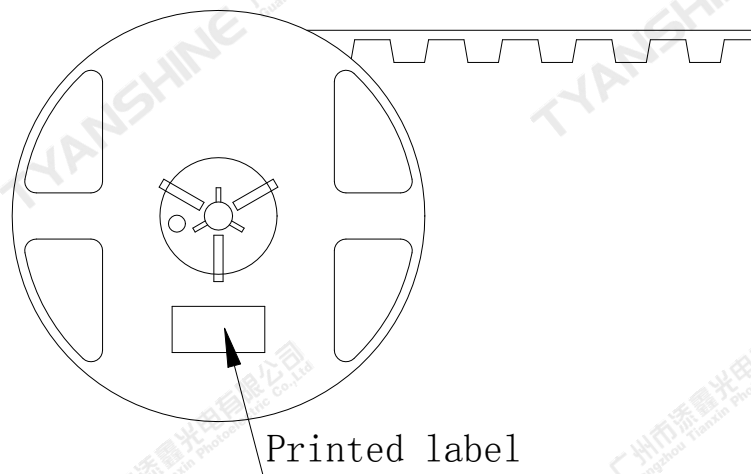
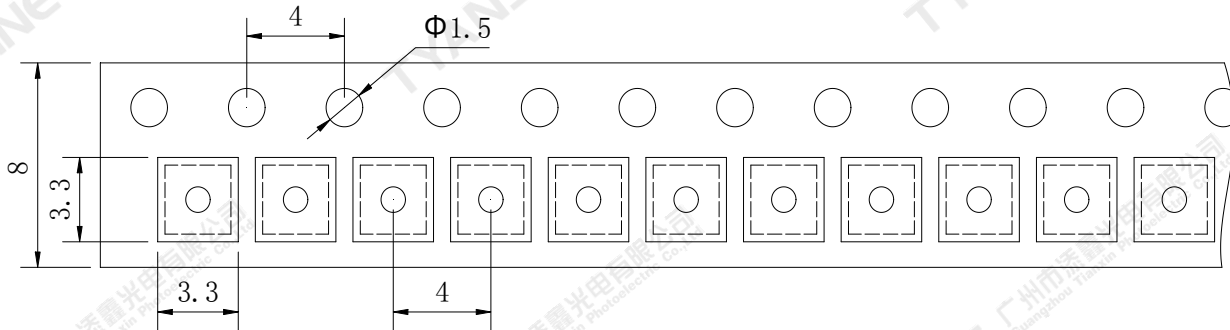
#### Note:

All temperatures refer to topside of the package, measured on the package body surface.



**Dimensions For Cannulation And Packaging**

**Quantity:2000 PCS**



**Notes:**

1. All dimensions are in millimeters.
2. Tolerances are  $\pm 2.0$  mm unless otherwise noted.
3. The products are packaged together with silica gel, Transport, not to the weight of welding LED light-emitting area, As a result of the weight of LED light-emitting zone in the quality of, Irresponsible of the Company.

Part No.	TX-2525W2FC120-OGVCND34-B02	Spec No.	WKF-BE0715	Page	9 of 9
----------	-----------------------------	----------	------------	------	--------