

# TX-3535W3FC120-OGVCND34-C03FH80

## PRODUCT SPECIFICATION

### Features:

- ◆ Excellent transiting heat from LED chip operating under 1000 mA.
- ◆ High luminous output.
- ◆ No UV.
- ◆ Encapsulated materials are environmentally certified and meet environmental requirements.

### Chip Material:

- ◆ GaN

### Emitting Color:

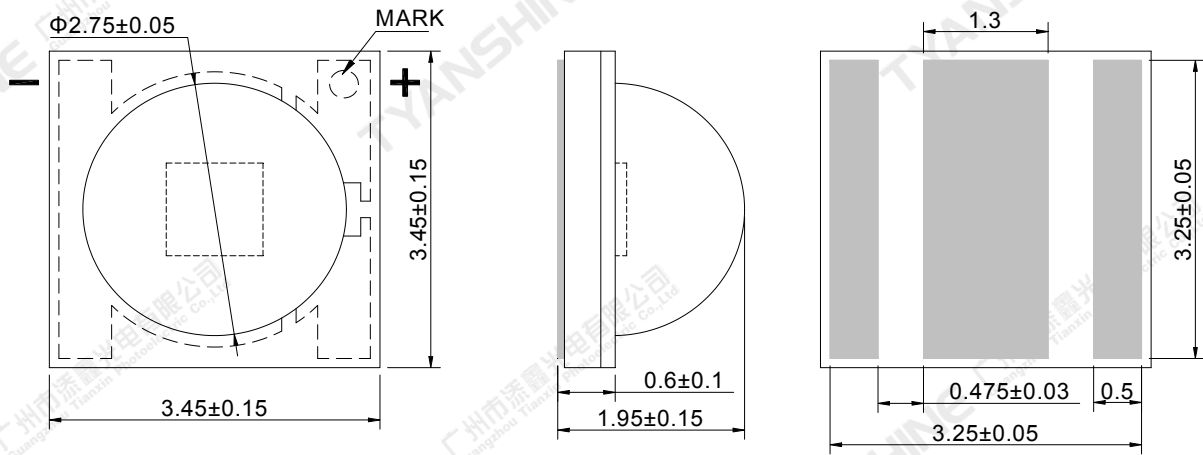
- ◆ white

### Applications:

- ◆ Auxiliary lighting
- ◆ Architectural lighting
- ◆ General Lighting

Part No.	TX-3535W3FC120-OGVCND34-C03FH80	Spec No.	WKF-BE0167	Page	1 of 9
----------	---------------------------------	----------	------------	------	--------

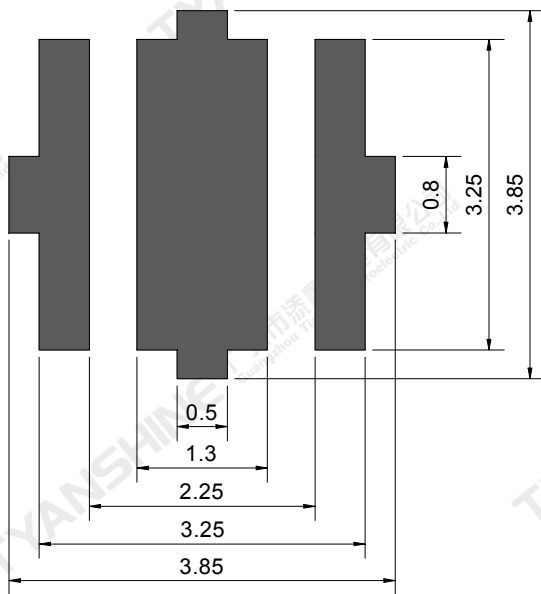
**Package Dimensions:**



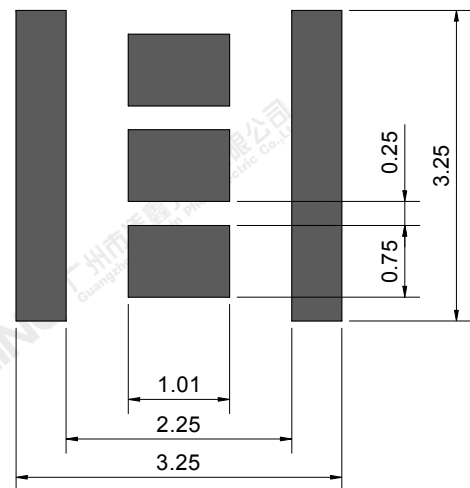
Top view

Side view

Bottom view



Recommended solder pad



Recommended stencil pattern

**Notes:**

- 1.All dimensions are in millimeters .
- 2.Tolerances unless otherwise mentioned are  $\pm 0.1$ mm .

**Absolute Maximum Ratings (Tc=25°C)**

Parameter	Symbol	Ratings	Unit
Forward Current	IF	1000	mA
Reverse Voltage	VR	5	V
Power Dissipation	PD	3.25	W
Junction Temperature	Tj	150	°C
Electrostatic Discharge Threshold (ESD)	ESD	ESD sensitive device	V
Storage Temperature	Tstg	-40~+70	°C
Operation Temperature	Topr	-30~+100	

**Notes:**

- Specifications are subject to change without notice.
- The data on this specification is for reference only and the actual data is in accordance with the acknowledgment.
- Precautions for ESD:  
STATIC SHIELD Electricity and surge damages the LED. It is recommended to use a wrist band or anti-electrostatic glove when handling the LED. All devices, equipment and machinery must be properly grounded.

**Electrical Optical Characteristics (Tc=25°C)**

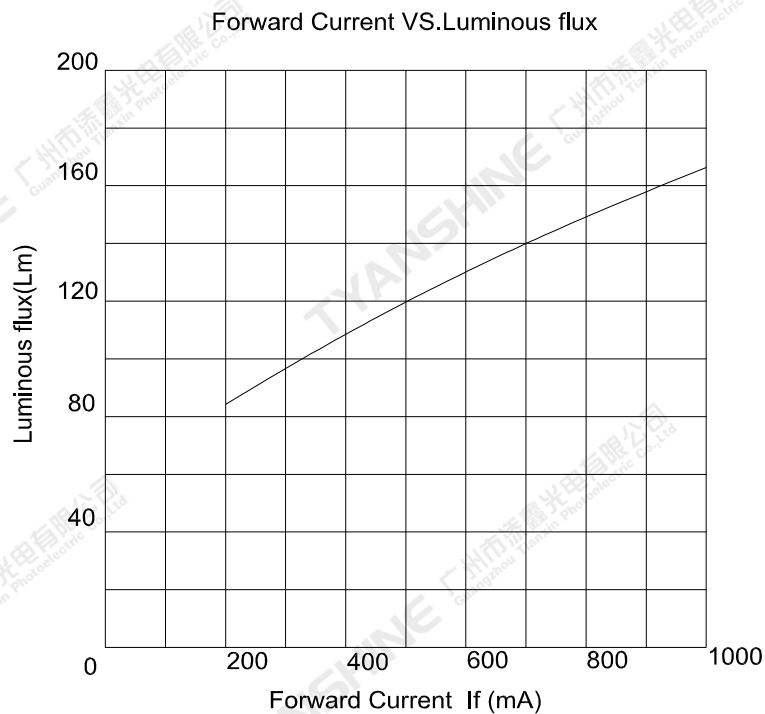
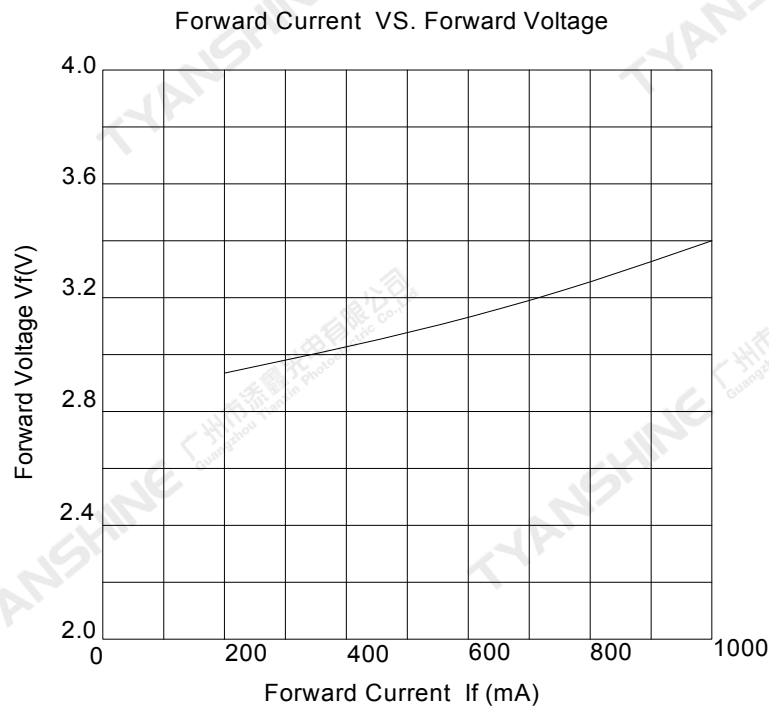
Parameter	Symbol	Condition	Min.	Typ.	Max.	Units
Luminous Flux	$\phi_v$	If=350mA	90	105	—	lm
Correlated Colour Temperature	CCT		2700	—	4000	K
Color Rendering Index	Ra		80	82.5	—	—
Forward Voltage	$V_f$		2.75	3.0	3.25	V
Viewing Angle at 50% IV	$2\theta_{1/2}$	—	—	120	—	Deg
Reverse Current	$I_R$	$V_R=-5V$	—	—	2	$\mu A$
Thermal Resistance Junction to Case	$R\theta_{J-C}$	If=350mA	—	6.4	—	K/W
Temperature Coefficient of Voltage	$V\Delta F/T$		—	-2	—	mV/°C

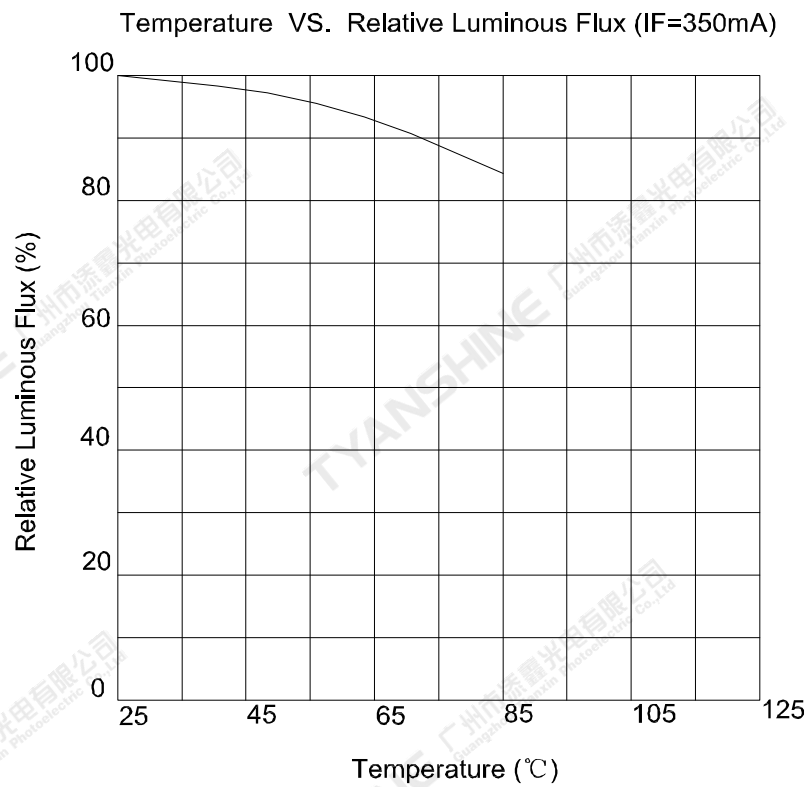
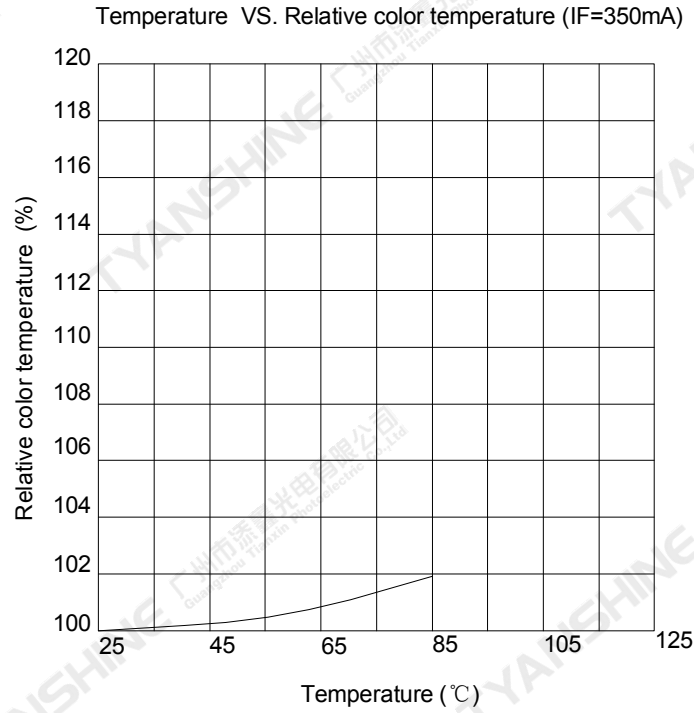
**Notes:**

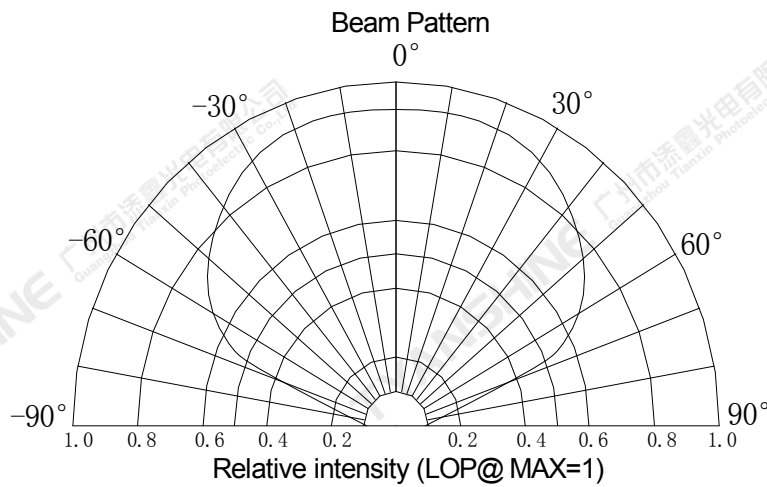
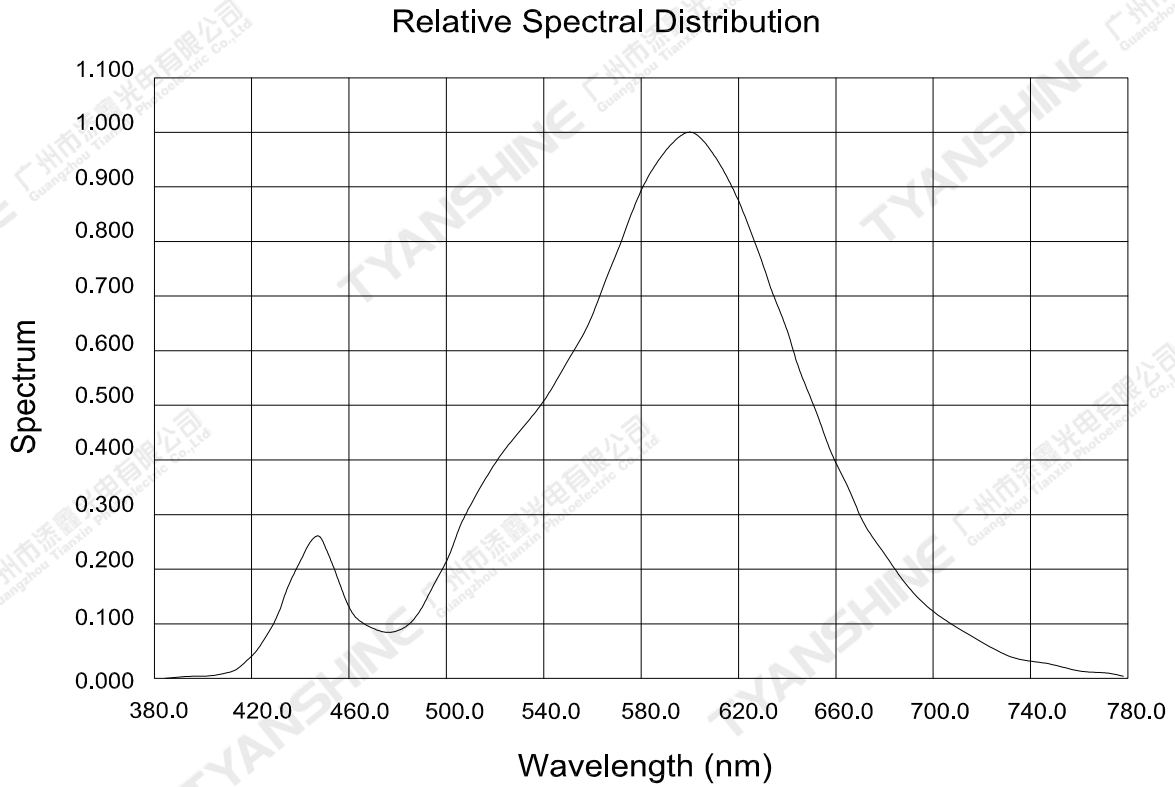
- 1.Luminous intensity is measured with a light sensor and filter combination that approximates the CIE eye-response curve.
2. $\theta_{1/2}$  is the off-axis angle at which the luminous intensity is half the axial luminous intensity.
- 3.Luminous flux measurement tolerance:±15%.
- 4.Forward voltage measurement tolerance:±0.15V.

## Typical Electrical/Optical Characteristics Curves

(25°C Ambient Temperature Unless Otherwise Noted)







**Notes:**

1.  $2\theta_{1/2}$  is the off axis angle from lamp centerline where the luminous intensity is 1/2 of the peak value.
2. View angle tolerance is  $\pm 5^\circ$ .

Part No.	TX-3535W3FC120-OGVCND34-C03FH80	Spec No.	WKF-BE0167	Page 7 of 9
----------	---------------------------------	----------	------------	-------------

## Usage Precautions

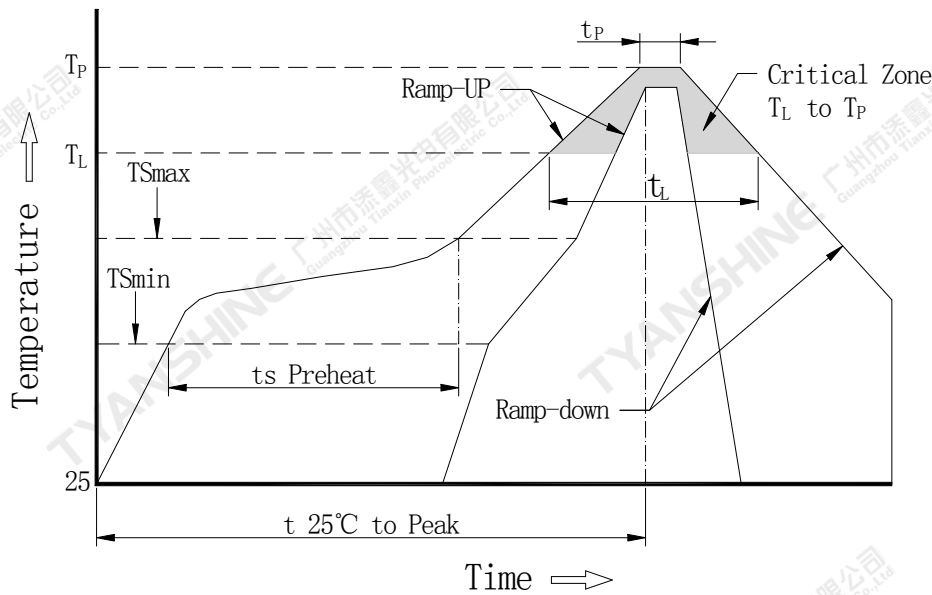
### Storage Environment Condition

Temperature: 5°C ~ 30°C (41°F ~ 86°F )

Humidity: 60% RH Max.

### Soldering Condition

Use the conditions shown to the under figure.



Profile Feature	Lead-Based Solder
Average Ramp-Up Rate ( $T_{Smax}$ to $T_P$ )	3°C/second max.
Preheat: Temperature Min ( $T_{Smin}$ )	100°C
Preheat: Temperature Max ( $T_{Smax}$ )	150°C
Preheat: Time ( $T_{Smin}$ to $T_{Smax}$ )	60-120 seconds
Time Maintained Above: Temperature ( $T_L$ )	183°C
Time Maintained Above: Time ( $T_L$ )	60-150 seconds
Peak/Classification Temperature ( $T_P$ )	225°C
Time Within 5°C of Actual Peak Temperature ( $T_P$ )	10-30 seconds
Ramp-Down Rate	6°C/second max.
Time 25°C to Peak Temperature	6 minutes max.

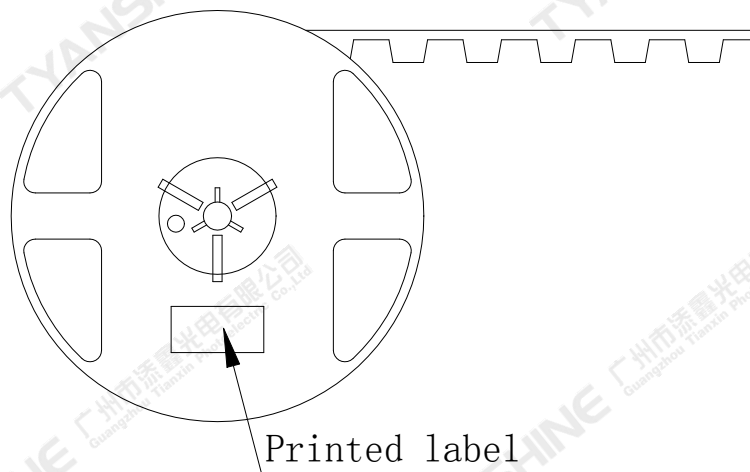
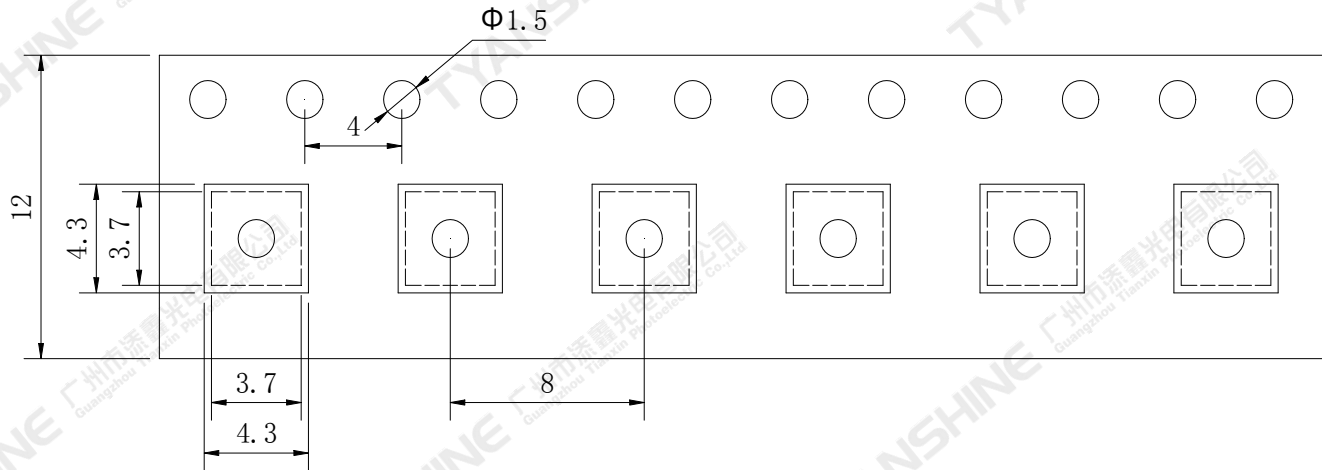
#### Note:

All temperatures refer to topside of the package, measured on the package body surface.



**Dimensions For Cannulation And Packaging**

**Quantity:1000 PCS**



**Notes:**

1. All dimensions are in millimeters.
2. Tolerances are  $\pm 2.0$  mm unless otherwise noted.
3. The products are packaged together with silica gel, Transport, not to the weight of welding LED light-emitting area, As a result of the weight of LED light-emitting zone in the quality of, Irresponsible of the Company.

Part No.	TX-3535W3FC120-OGVCND34-C03FH80	Spec No.	WKF-BE0167	Page	9 of 9
----------	---------------------------------	----------	------------	------	--------