

# TX-RBWG15B120-001

## PRODUCT SPECIFICATION

Approved by:

Checked by:

Prepared by:

<b>Part No.</b>	TX-RBWG15B120-001	<b>Spec No.</b>	WKF-BB10002	<b>Page</b>	1 of 4
-----------------	-------------------	-----------------	-------------	-------------	--------

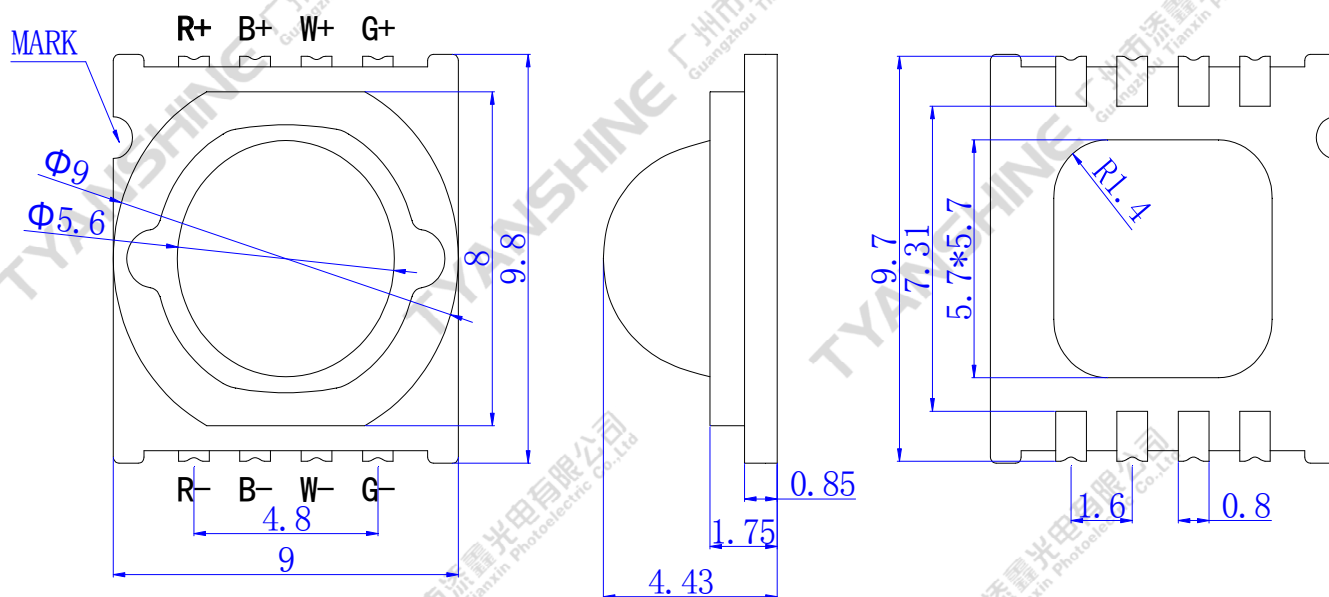
**Features:**

- ◆ Excellent Transiting Heat from LED Chip Operating under 1000mA
- ◆ High Luminous Output
- ◆ No UV

**Typical purpose:**

- ◆ Portable Flashlight
- ◆ Garden lighting
- ◆ General Lighting

**Package Dimensions:**



<b>Part No.</b>	TX-RBWG15B120-001	<b>Spec No.</b>	WKF-BB10002	<b>Page</b>	2 of 4
-----------------	-------------------	-----------------	-------------	-------------	--------

**Notes:**

1. Thermoelectric integrated White chip packaged in this product.
2. All dimensions are in millimeters (inches).
3. Tolerance is  $\pm 0.25$  mm (0.01") unless otherwise noted.

Part NO.	Chip Material				Lens Color	Source Color
TX-RBWG15B120-001	Red	Blue	White	Green	Water Clear	Red & True Blue & White & Green
	AlGaInP	GaInN	GaInN	GaInN		

**Absolute Maximum Ratings at Ta=25°C**

Parameter	Symbol	MAX.	Unit
LED Junction Temperature	T <sub>j</sub>	150	°C
Power Dissipation	P <sub>D</sub>	R	3000
		B	4000
		W	3600
		G	3600
Peak Forward Current (1/10 Duty Cycle, 0.1ms Pulse Width)	I <sub>FP</sub>	1200	mA
Continuous Forward Current	I <sub>F</sub>	1000	mA
Reverse Voltage	V <sub>R</sub>	5	V
Electrostatic Discharge Threshold (ESD)	ESD	2000	V
Operating Temperature Range	T <sub>opr</sub>	-30 to +70	°C
Storage Temperature Range	T <sub>spr</sub>	-40 to +100	

**Notes:**

1. Specifications are subject to change without notice.
2. The data on this specification is for reference only and the actual data is in accordance with the acknowledgment.
3. Precautions for ESD:  
 STATIC SHIELD Electricity and surge damages the LED. It is recommended to use a wrist band or anti-electrostatic glove when handling the LED. All devices, equipment and machinery must be properly grounded.

<b>Part No.</b>	TX-RBWG15B120-001	<b>Spec No.</b>	WKF-BB10002	<b>Page</b>	3 of 4
-----------------	-------------------	-----------------	-------------	-------------	--------

**Characteristics at  $I_f=1000mA$  ,  $V_r=5V$  ( $T_a=25^\circ C$ )**

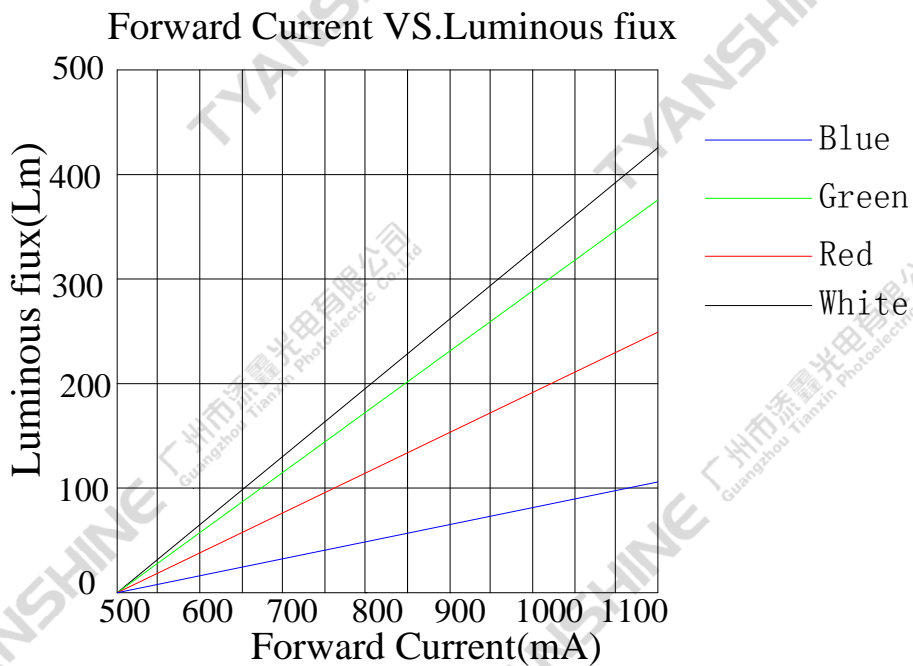
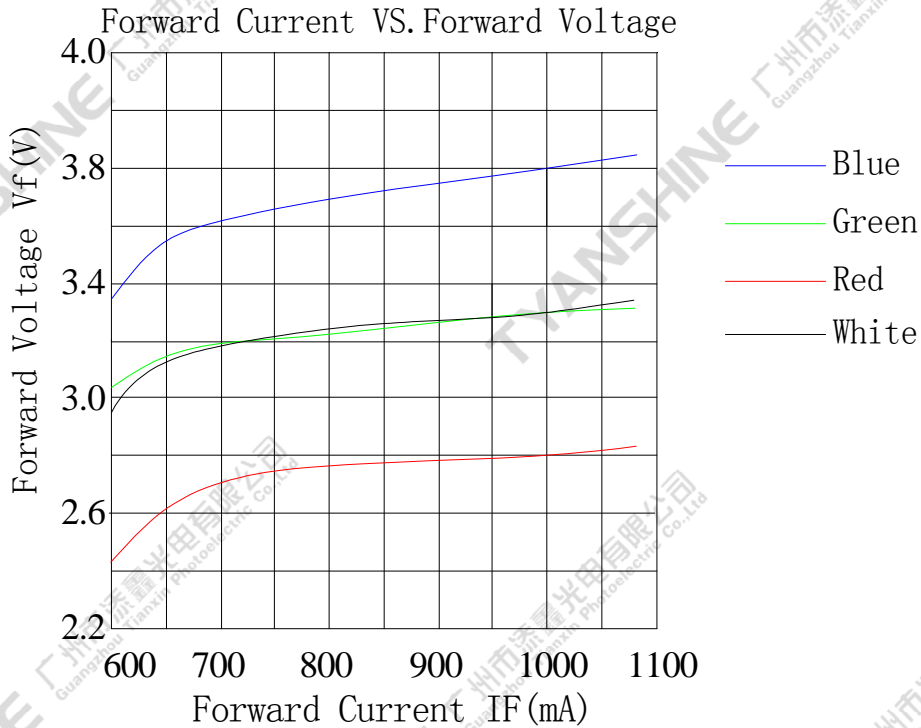
Parameter	Symbol	Emitting Color	Values			Units
			Min.	Typ.	Max.	
Luminous Flux	$\Phi_v$	R	145	185	—	lm
		B	35	60	—	
		W	260	330	—	
		G	220	285	—	
Viewing Angle at 50 % IV	$2\theta_{1/2}$	R	—	120	—	Deg
		B	—	120	—	
		W	—	120	—	
		G	—	120	—	
Peak Emission Wavelength	$\lambda_p$	R	620	625	630	nm
		B	450	452.5	455	
		G	510	515	520	
Dominant Wavelength	$\lambda_d$	R	618	623	628	nm
		B	450	455	460	
		G	520	525	530	
Correlated Colour Temperature	CCT	W	6500	7500	8500	K
Spectral Line Half-Width	$\Delta\lambda$	R	15	20	25	nm
		B	15	20	25	
		W	15	20	25	
		G	25	30	35	
Forward Voltage	$V_f$	R	2.6	2.8	3.0	V
		B	3.6	3.8	4.0	
		W	3.0	3.3	3.6	
		G	3.0	3.3	3.6	
Reverse Current	$I_R$	—	—	—	10	$\mu A$
Thermal Resistance Junction to Case	$R\theta_{J-C}$	—	—	1.4	—	K/W
Temperature Coefficient of Forward Voltage	$V\Delta F/T$	—	—	-2	—	mV/ $^\circ C$

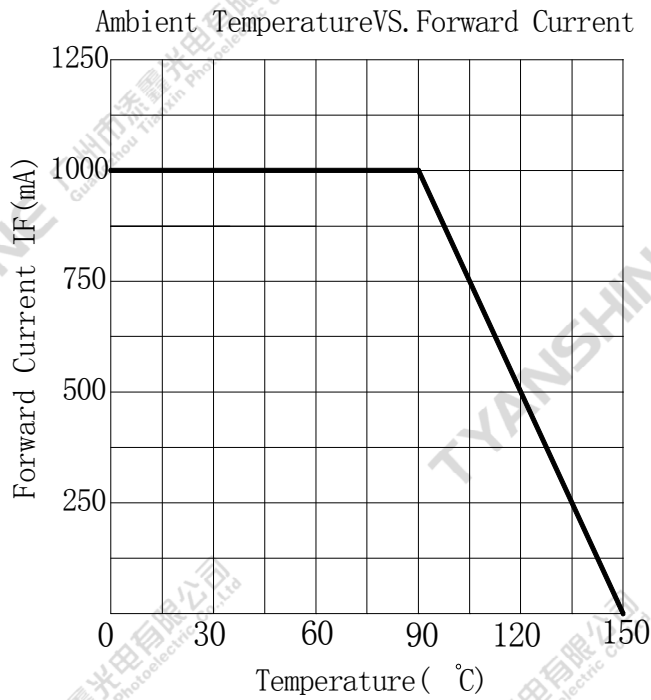
**Notes:**

- Luminous intensity is measured with a light sensor and filter combination that approximates the CIE eye-response curve.
- $\theta_{1/2}$  is the off-axis angle at which the luminous intensity is half the axial luminous intensity
- The dominant wavelength ( $\lambda_d$ ) is derived from the CIE chromaticity diagram and represents the single wavelength which defines the color of the device.
- Flux is measured with an accuracy of  $\pm 15\%$ .
- Forward voltage is measured with an accuracy of  $\pm 0.15V$ .

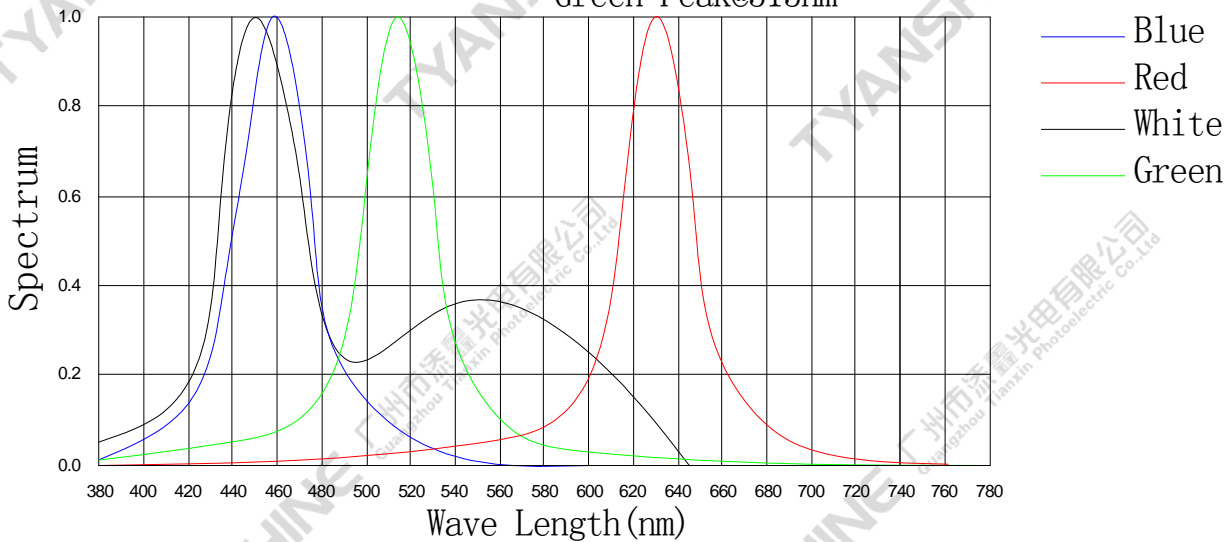
**Typical Electrical / Optical Characteristics Curves**

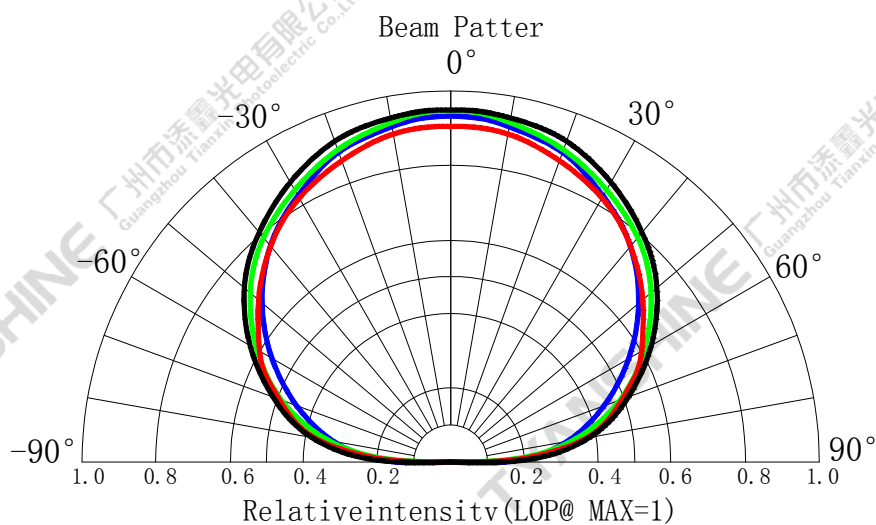
(25°C Ambient Temperature Unless Otherwise Noted)





Spectral Radiance: Red Peak@630nm  
Blue Peak@452.5nm  
Green Peak@515nm





**Notes:**

- 1.  $2\theta_{1/2}$  is the off axis angle from lamp centerline where the luminous intensity is 1/2 of the peak value.
- 2. View angle tolerance is  $\pm 5^\circ$ .

<b>Part No.</b>	TX-RBWG15B120-001	<b>Spec No.</b>	WKF-BB10002	<b>Page</b>	7 of 4
-----------------	-------------------	-----------------	-------------	-------------	--------

**PRECAUTION IN USE**

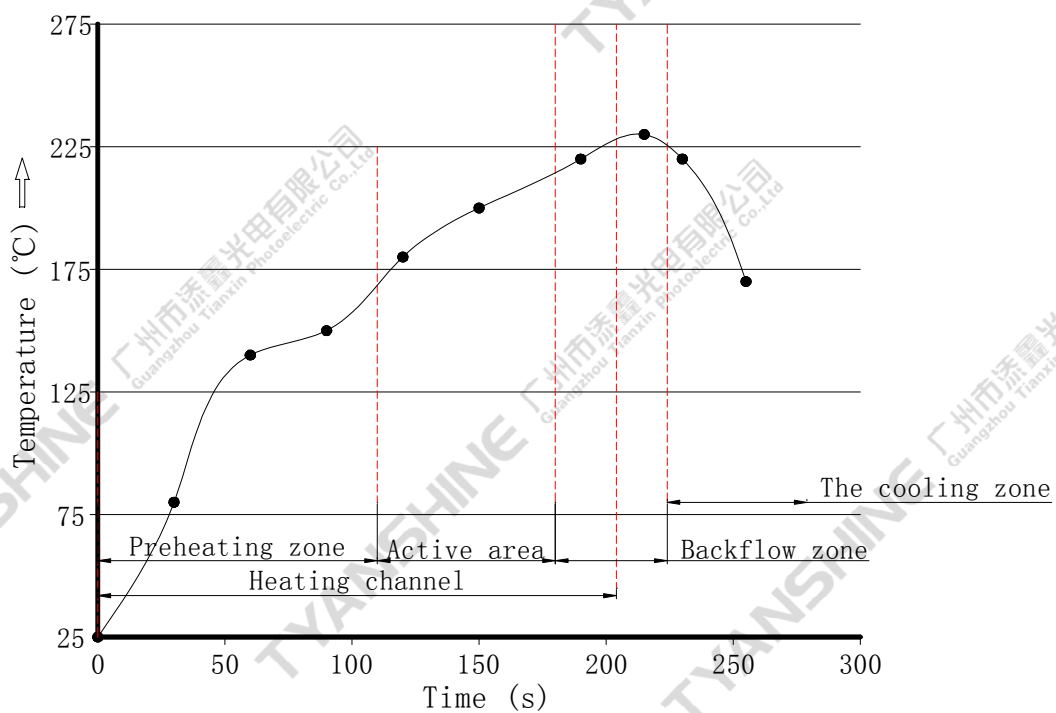
**Storage**

Recommended storage environment  
 Temperature: 5°C ~ 30°C (41oF ~ 86oF)  
 Humidity: 60% RH Max.

**Soldering**

Use the conditions shown to the under figure.

Backflow welding recommended temperature curve



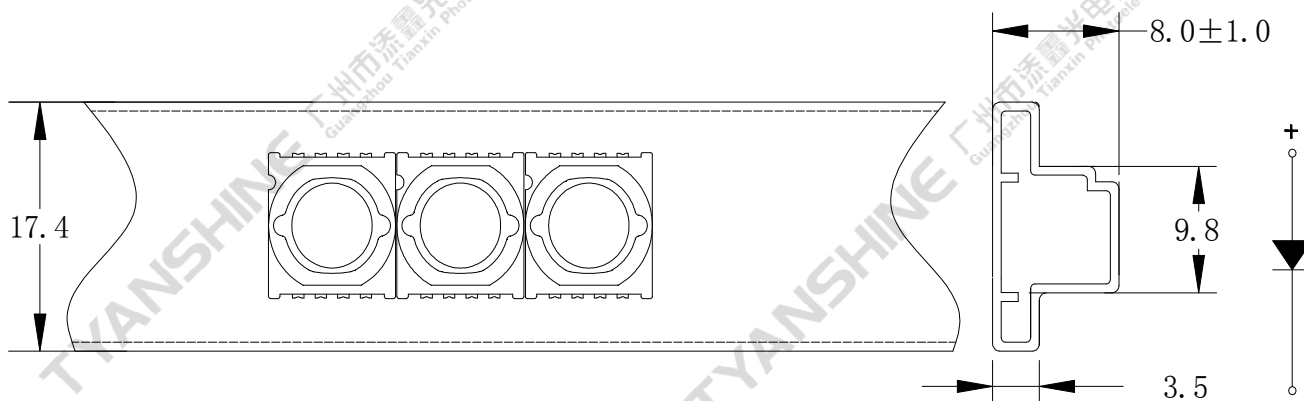
Profile Feature	Lead-Based Solder
Preheat: Temperature Min (T <sub>smin</sub> )	25°C
Preheat: Temperature Max (T <sub>smax</sub> )	170°C
Preheat: Time (T <sub>smin</sub> to T <sub>smax</sub> )	60-120 seconds
Heating rate	1-3°C/sec
Time Maintained Above: Temperature (T <sub>L</sub> )	170-215°C
Time Maintained Above: Time (T <sub>L</sub> )	60-110 seconds
Reflux temperature	215-235°C
Reflux time	30-70 seconds
Cooling rate	3-5°C/sec

**Note:** All temperatures refer to topside of the package, measured on the package body surface.



**Dimensions for Cannulation and Packaging**

**Quantity: 40PCS**



**Notes:**

1. All dimensions are in millimeters (inches).
2. Tolerance is  $\pm 2.0$  mm (0.08") unless otherwise noted.
3. Product is packaged with silica gel to protect the light-emitting zone. Please avoid the light-emitting area from being pressed, stressed, rubbed, come into contact with sharp metal part which would damage the product.

<b>Part No.</b>	TX-RBWG15B120-001	<b>Spec No.</b>	WKF-BB10002	<b>Page</b>	9 of 4
-----------------	-------------------	-----------------	-------------	-------------	--------